

RECOMMENDED CLEARANCE ZONE
[RCZ]



MILLED LOG BENCH

PRODUCT NUMBER
NI-PG-703-05

LAYOUT PLAN

PAGE 1 OF 1	SCALE @ 8.5x11 1:25	DRAWN PR	CHECKED DR	PHONE NUMBER: 1-877-733-7456
----------------	------------------------	-------------	---------------	---------------------------------

COMPONENTS

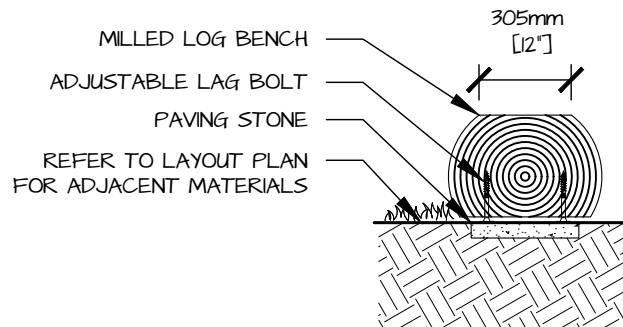
NATURE'S INSTRUMENTS NI-PG-703-05 MILLED HARDWOOD LOG BENCH NI PACKAGE INCLUDES:-

- INCLUDES LAG BOLTS INSTALLED IN THE BOTTOM OF THE BENCH.

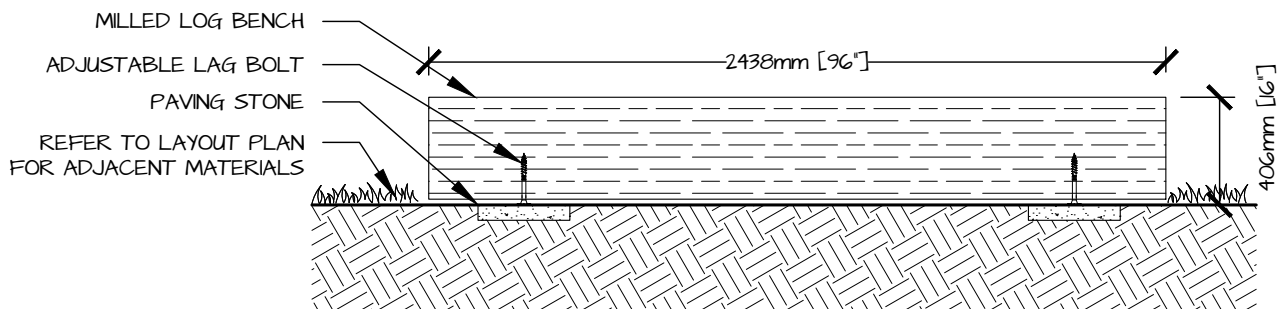
2 PAVING STONES, MAX. 51 mm [2"] THICK, MIN 305mm [12"] WIDE (NOT SUPPLIED).

NOTES

1. PLACEMENT OF LOG BENCH TO ALLOW FOR CIRCULATION; IT IS RECOMMENDED THAT AT LEAST 914 mm [36"] CLEAR SPACE BE ALLOCATED AROUND ALL SIDES OF BENCH. 1219mm [48"] CLEAR SPACE IS PREFERRED.
2. PLACE PAVING STONES ON FIRM STABLE GROUND.
 - 2a. ENSURE PAVING STONES ARE LEVEL WITH EACH OTHER.
 - 2b. PARTIALLY UNSCREW LAG BOLTS ON BENCH BOTTOM SO THEY EXTEND BEYOND THE WOOD SURFACE.
3. PLACE BENCH ON THE PAVING STONES SO THAT THE EXTENDED BOLTS ARE CENTRED OVER THE PAVING STONES. ENSURE THE PAVING STONES ARE NOT VISIBLE FROM ABOVE.
4. ADJUST LAG BOLTS TO LEVEL BENCH.
5. FOLLOW ADJACENT SURFACING INSTALLATION DETAILS.
6. IF INSTALLED ON OR DIRECTLY NEXT TO A GRASS SURFACE, IT IS RECOMMENDED THAT DUROLAWN MATS (NOT SUPPLIED) BE INSTALLED IN FRONT OF PARK BENCH TO ELIMINATE WEAR PATTERNS. GO TO www.durolawn.com FOR MORE INFORMATION.



- SIDE SECTION -



- FRONT SECTION -



MILLED LOG BENCH

PRODUCT NUMBER
NI-PG-703-05

INSTALL DETAIL

PAGE	SCALE @ 8.5x11	DRAWN	CHECKED	PHONE NUMBER:
1 OF 1	1:25	PR	DR	1-877-733-7456