

COMPONENTS

NATURE'S INSTRUMENTS NI-PG-50I-01 2-TIER LOG PLANTER BOX: 2400mm [96"] LENGTH

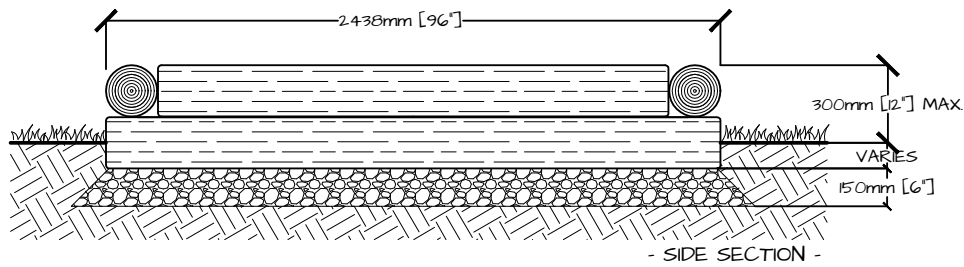
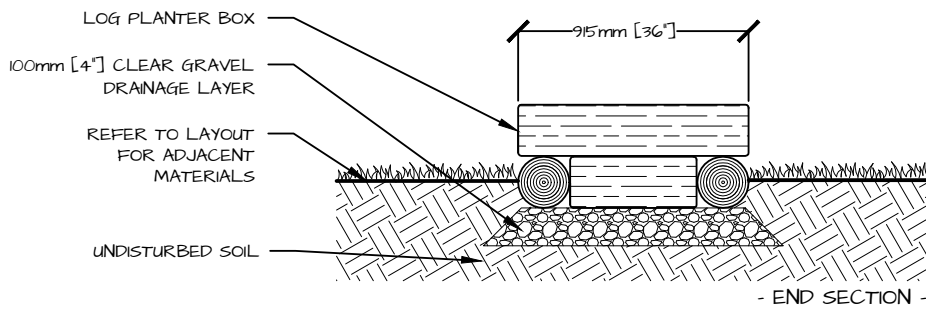
NI PACKAGE INCLUDES:

- ASSEMBLED LOG PLANTER
 - WITH PRE-INSTALLED GEO-TEXTILE LINER

GRAVEL BASE AND GARDEN SOIL ARE NOT SUPPLIED.

NOTES

1. INTENDED USE: NATURE'S INSTRUMENTS 2-TIER LOG PLANTER IS TO BE USED WITH FEET PLANTED FIRMLY ON THE GROUND.
2. PLACE PLANTER TO ALLOW FOR CIRCULATION, 915mm [36"] OF CLEAR SPACE IS RECOMMENDED AROUND ALL SIDES OF PLANTER.
3. LOG PLANTER SHALL BE INSTALLED SO THE TOP TIER DOES NOT EXCEED 300mm [12"] ABOVE FINISHED GRADE.
4. LOG PLANTER SHALL NOT BE PLACED ON ANY FOOTING OR FOUNDATION.
5. IF THE PLANTER IS TO BE INSTALLED ON A HARD SURFACE, INSTALL 100mm [4"] OF CLEAR GRAVEL SURROUNDED BY GEO-TEXTILE IN THE BOTTOM OF PLANTER FOR DRAINAGE (INSTEAD OF BELOW PLANTER AS SHOWN IN DRAWING).
6. GEO-TEXTILE IS PRE-INSTALLED ON THE INSIDE OF THE LOG PLANTER TO CONTAIN GROWING MEDIUM.
7. FILL PLANTER WITH PREMIUM GROWING MEDIUM
8. PLANTS AND PLANTING BY OTHERS.

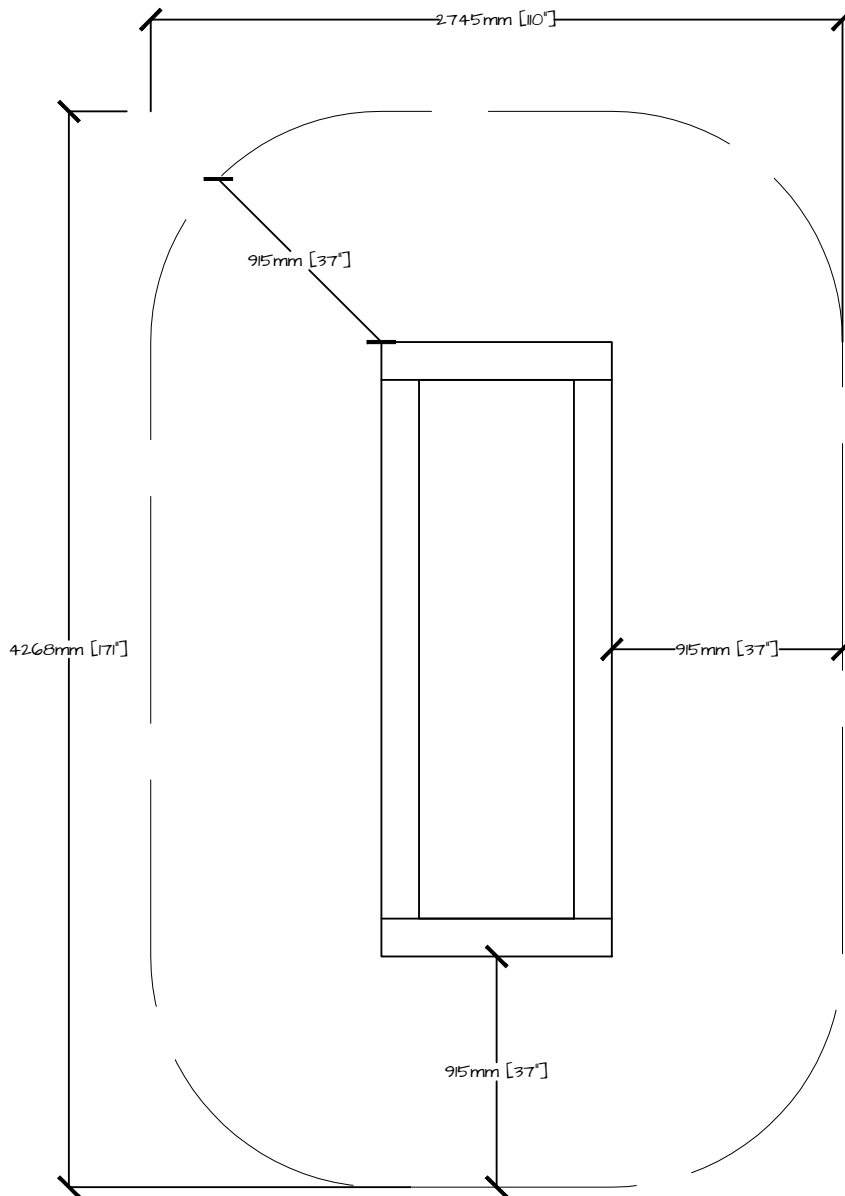


DETAIL

2 TIER LOG PLANTER BOX: 2400mm [96"] LENGTH

PRODUCT NUMBER	PAGE	SCALE @ .05X	DRAWN	CHECKED	PHONE NUMBER
NI-PG-50I-01	1 OF 1	NT.S.	RI	SE	1-877-733-7459

COPYRIGHT © 2016 NATURE'S INSTRUMENTS. DO NOT SCALE DRAWINGS. NOT FOR COMMERCIAL USE OR REPRINT WITHOUT EXPRESSED WRITTEN PERMISSION FROM NATURE'S INSTRUMENTS.



DETAIL

2 TIER LOG PLANTER BOX 2400mm [96"] - LAYOUT

PRODUCT NUMBER	PAGE	SCALE @ .05x1	DRAWN	CHECKED	PHONE NUMBER
NI-PG-501-01	1 OF 1	NT.S.	RI	SE	1-877-733-7459

COPYRIGHT © 2016 NATURE'S INSTRUMENTS. DO NOT SCALE DRAWINGS. NOT FOR COMMERCIAL USE OR REPRINT WITHOUT EXPRESSED WRITTEN PERMISSION FROM NATURE'S INSTRUMENTS.