

COMPONENTS

NATURE'S INSTRUMENTS NI-PG-605-01 300mm [12"] Ø HORIZONTAL CEDAR LOG BORDER.
 NI PACKAGE INCLUDES-

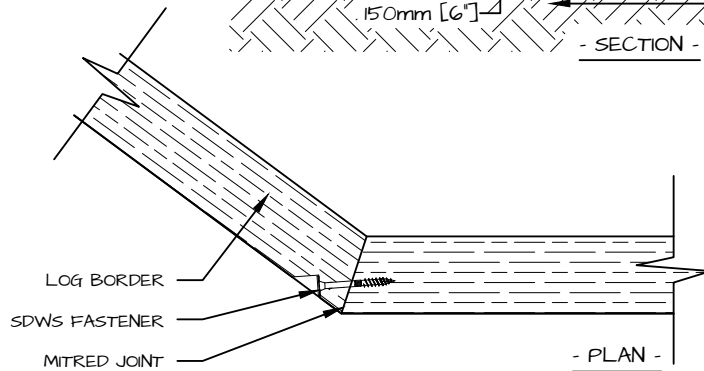
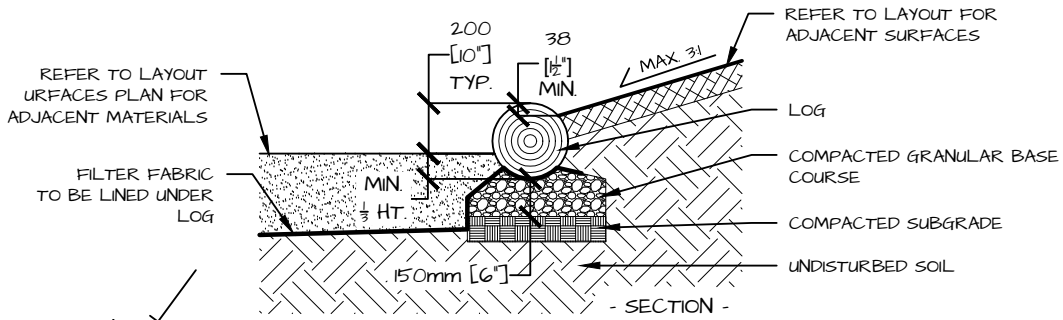
- PRE-MITERED LOG BORDER (IF A TO-SCALE LAYOUT PLAN IS PROVIDED)
- 254mm [10"] FASTENERS

FOOTING MATERIALS ARE NOT SUPPLIED.

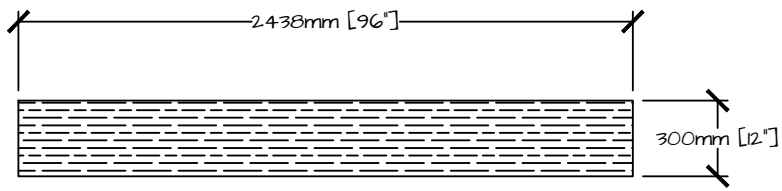
NOTE: WHEN PLACING THE ORDER, A TO-SCALE LAYOUT PLAN MUST BE PROVIDED TO ENABLE ACCURATE MITER CUTS.

NOTES

1. INSTALL BORDER ACCORDING TO THE LAYOUT PLAN.
2. SET INTO FINISHED GRADE:
 - 2.1 LOGS MUST BE PLACED SO THAT A MINIMUM OF $\frac{1}{3}$ THE LOG'S HEIGHT IS BURIED BELOW FINISHED GRADE OF THE LOWEST SURROUNDING SURFACE.
3. IF BORDER LOGS ARE USED TO RETAIN A LOOSE FILL MATERIAL, FILTER FABRIC IS TO BE INSTALLED UNDER THE BORDER LOG AND CONTINUE UNDER THE LOOSE FILL MATERIAL TO PREVENT ACCESS TO THE BORDER BASE OR THE TERRA-FIRMA UNDER THE LOG BORDER.
- 3.1 FILTER FABRIC TO BE NILEX 4535 NON-WOVEN GEO-TEXTILE, OR APPROVED EQUAL.
4. GRANULAR BASE COURSE TO BE 150mm [6"] MIN. DEPTH OF CRUSHED GRAVEL (OR $\frac{3}{4}$ " CLEAR GRAVEL) COMPACTED TO 98% SPDD.
5. POSITION LOGS ACCORDING TO THE LETTER LABELING (MATCH LETTERS).
6. LINE UP MITERED JOINTS. MITERS ARE TO HAVE A GAP NO LARGER THAN 15mm [$\frac{1}{2}$ "].
7. FASTEN MITERS TOGETHER WITH SUPPLIED FASTENERS IN PRE-DRILLED, COUNTERSUNK HOLES.



DETAIL						
300mm [12"] Ø HORIZONTAL CEDAR LOG BORDER						
PRODUCT NUMBER	PAGE	SCALE @ 0.5X	DRAWN	CHECKED	PHONE NUMBER	
NI-PG-605-01	1 OF 1	NT.S.	RI	SE	1-877-733-7459	



DETAIL

300mm [12"] Ø HORIZONTAL CEDAR LOG BORDER - LAYOUT

PRODUCT NUMBER	PAGE	SCALE @ 0.5X	DRAWN	CHECKED	PHONE NUMBER
NI-PG-605-01	1 OF 1	N.T.S.	RI	SE	1-877-733-7459

COPYRIGHT © 2016 NATURE'S INSTRUMENTS. DO NOT SCALE DRAWINGS. NOT FOR COMMERCIAL USE OR REPRINT WITHOUT EXPRESSED WRITTEN PERMISSION FROM NATURE'S INSTRUMENTS.