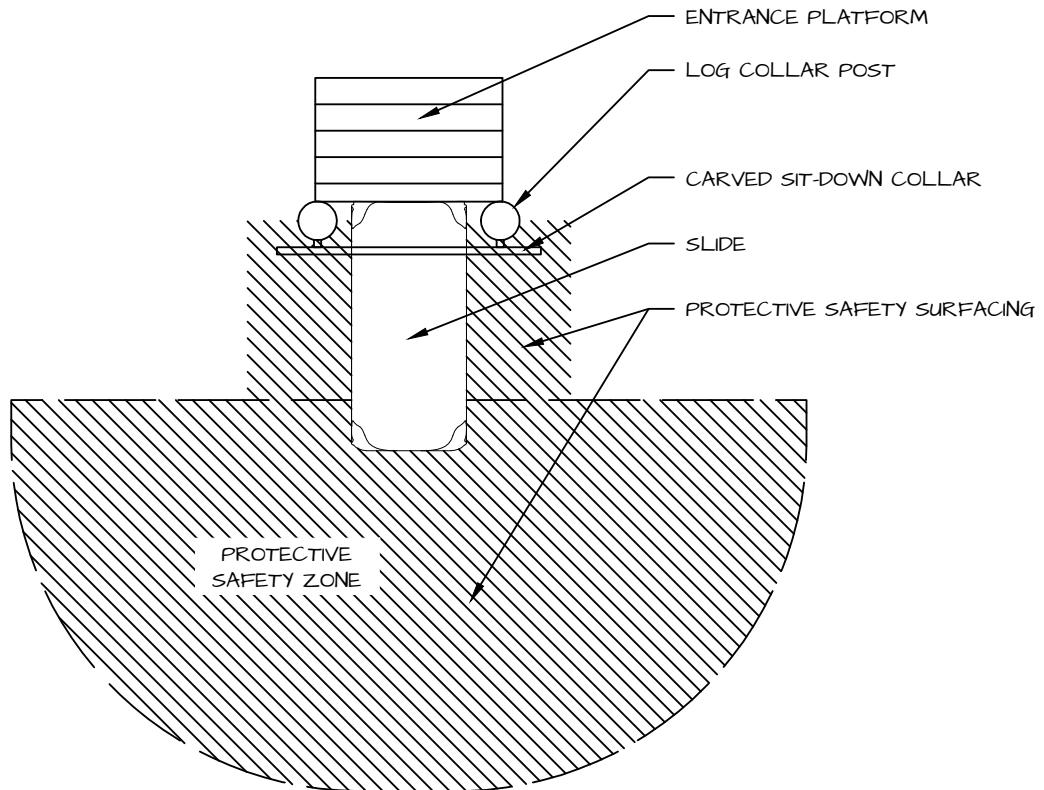


SLIDE COMPONENTS:

NATURE'S INSTRUMENTS NI-PG-100I-01 DOUBLE RAIL HILL SLIDE.
 NI PACKAGE INCLUDES:-

- PRE-ASSEMBLED SLIDE FRAME: x 1
 - WITH PRE-ATTACHED SLIDE, LOG COLLAR POSTS AND CARVED SIT-DOWN COLLAR
- PRE-ASSEMBLED SLIDE ENTRANCE PLATFORM: x 1
- 13 x 152mm [$\frac{1}{2}$ "x6"] GALV. LAG BOLTS WITH WASHERS: x 2
- 51mm [2"] BROWN CERAMIC COATED DECK SCREWS: x 8

PROTECTIVE SAFETY SURFACING, STRUCTURAL FILL, GRAVEL & SOIL ARE NOT SUPPLIED.



- PLAN -



DETAIL

2' EASY INSTALL HILL SLIDE

PRODUCT NUMBER	PAGE	SCALE @ .05X1	DRAWN	CHECKED	PHONE NUMBER
NI-PG-100I-01	1 OF 5	NT.S.	SE	SE	1-877-733-7459

COPYRIGHT © 2016 NATURE'S INSTRUMENTS. DO NOT SCALE DRAWINGS. NOT FOR COMMERCIAL USE OR REPRINT WITHOUT EXPRESSED WRITTEN PERMISSION FROM NATURE'S INSTRUMENTS.

SLIDE LAYOUT:

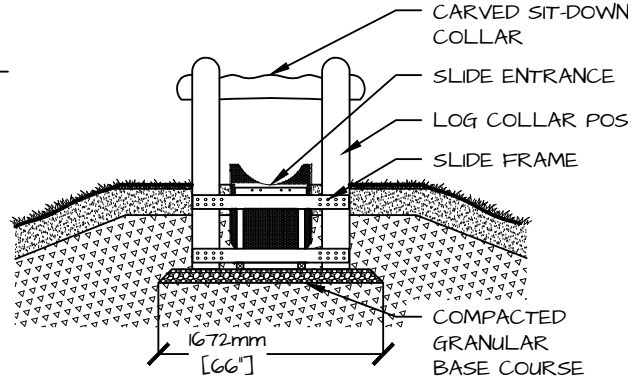
1. HEIGHT OF SLIDE TO BE 610mm [24"] FROM SLIDE EXIT TO SLIDE ENTRANCE.
2. LAYOUT SLIDE SO THAT THE SLIDE EXIT IS IN THE REQUIRED LOCATION TO ALLOW FOR THE PROTECTIVE SAFETY ZONE TO FIT WITHIN THE LAYOUT.

SLIDE INSTALLATION:

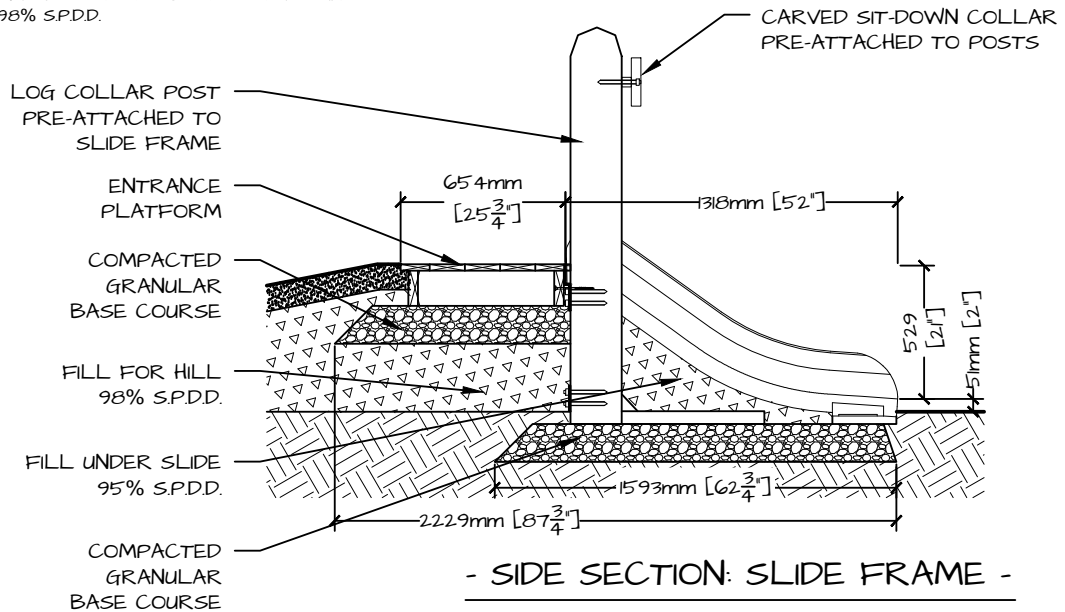
1. PLACE SLIDE IN POSITION ACCORDING TO LAYOUT
2. SLIDE TO SIT ON 150mm [6"] MIN DEPTH OF CRUSHED GRAVEL (OR ¾" CLEAR GRAVEL) COMPACTED TO 98% SPDD.
3. BACKFILL INSIDE THE SLIDE FRAME WITH HIGH PERFORMANCE BEDDING (HPB) OR OTHER MATERIAL THAT CAN ACHIEVE 95% SPDD.
 - 3.1 OR: REMOVE THE SLIDE FROM THE FRAME BY REMOVING THE BOLTS AT THE REAR OF THE SLIDE AT THE SLIDE ENTRANCE.
 - 3.2 INSTALL COMPACTED GRAVEL AND SCULPT GRAVEL TO THE SAME CONTOUR AS THE SLIDE.
 - 3.3 RE-POSITION THE SLIDE AND RE-INSTALL THE BOLTS AT THE SLIDE ENTRANCE.
 - 3.4 SLIDE SHOULD SIT FLUSH WITH COMPACTED GRAVEL UNDER THE SLIDE
4. CONTINUE BUILDING HILL ACCORDING TO GRADING PLAN AROUND THE BACK AND SIDES OF THE SLIDE. A STRUCTURAL FILL SHOULD BE USED THAT CAN ACHIEVE 98% SPDD.

COLLAR POST INSTALLATION:

1. COLLAR POSTS ARE PRE-ATTACHED TO SLIDE FRAME AND PRE-CARVED TO FIT SNUG TO THE SLIDE RAILS



- REAR SECTION: SLIDE FRAME -



- SIDE SECTION: SLIDE FRAME -



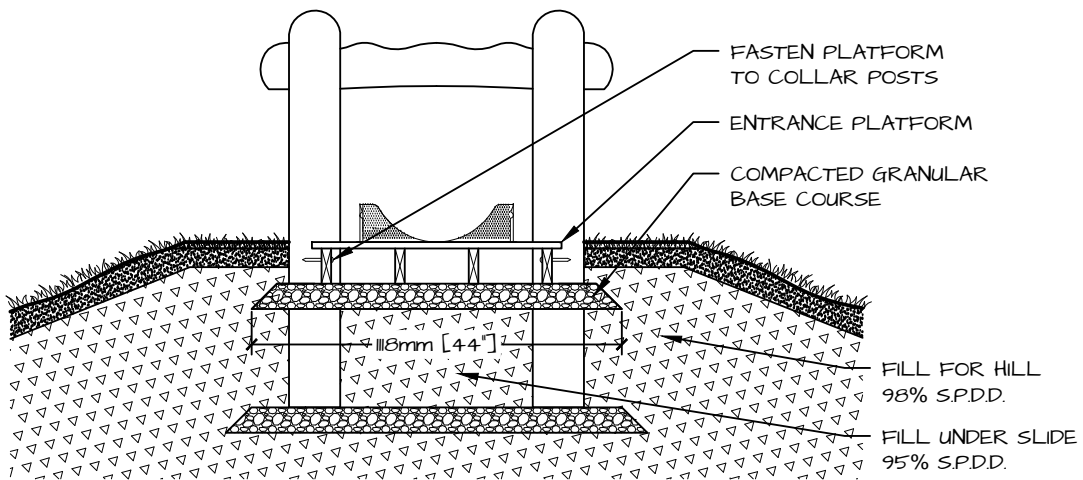
DETAIL

2' EASY INSTALL HILL SLIDE

PRODUCT NUMBER	PAGE	SCALE @ .05x1	DRAWN	CHECKED	PHONE NUMBER
NI-PG-1001-01	2 OF 5	NT.S.	SE	SE	1-877-733-7459

ENTRANCE PLATFORM:

1. ENTRANCE PLATFORM IS 165mm [6½"] THICK AND MEASURES 686 x 699mm [2-7' x 2-7½"].
2. INSTALL 150mm [6"] MIN. DEPTH OF CRUSHED GRAVEL (OR ¾" CLEAR GRAVEL) COMPACTED TO 98% S.P.D.D. BELOW THE PLATFORM.
3. ENSURE THAT PLATFORM IS PERFECTLY LEVEL WITH TOP OF SLIDE LEFT TO RIGHT AND FRONT TO BACK.
4. REMOVE TWO DECK BOARDS ON THE SIDE WITH PRE-DRILLED HOLES.
5. SLIDE PLATFORM BETWEEN COLLAR POSTS IN THE NOTCHES TIGHT TO THE SLIDE.
6. ATTACH PLATFORM WITH TWO 12.7mm [½"] SDWS SCREWS (SUPPLIED) IN PREDRILLED HOLES.
7. RE-FASTEN THE LAST TWO DECK BOARDS ADJACENT TO THE SLIDE ENTRANCE.
8. INSTALL A BEAD OF CLEAR SILICONE BETWEEN THE EDGE OF THE SLIDE AND DECK BOARD.



- SECTION: ENTRANCE PLATFORM -



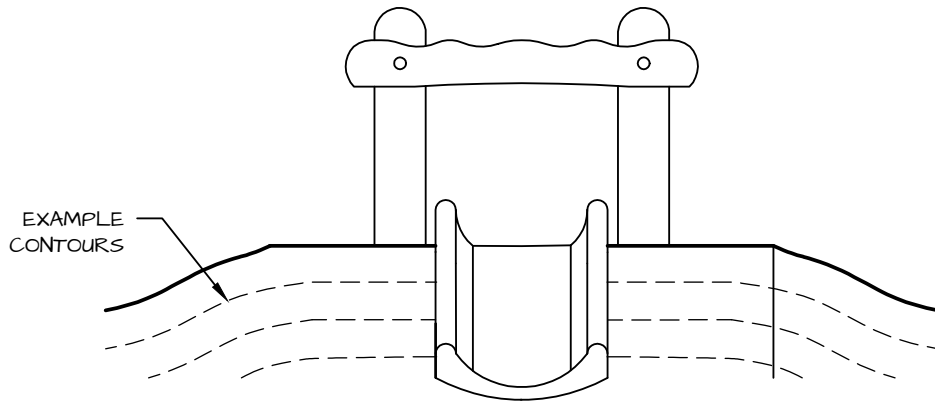
DETAIL

2' EASY INSTALL HILL SLIDE

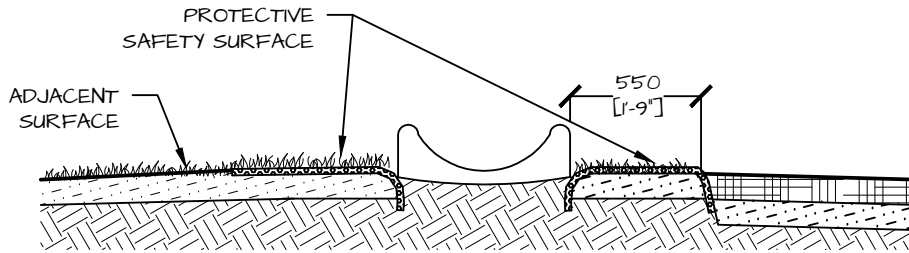
PRODUCT NUMBER	PAGE	SCALE @ .05x1	DRAWN	CHECKED	PHONE NUMBER
NI-PG-100I-01	3 OF 5	N.T.S.	SE	SE	1-877-733-7459

GRADING:

1. WITHIN 1220 - 1525mm [48' - 60"] FROM THE EDGE OF THE SLIDE, THE FINISHED GRADE OF THE HILL IS TO BE CONTOURED TO MATCH THE SLOPE OF THE SLIDE.
2. OUTSIDE OF THE 1220 - 1525mm [48' - 60"] ZONE THE GRADE SHALL SMOOTHLY TRANSITION INTO THE SURROUNDING HILL.
3. THE CONTOURS SHOWN BELOW ARE AN EXAMPLE OF THE SHAPE OF THE HILL ON THE SIDES OF THE SLIDE.
4. IN GENERAL, THE GRADE SHOULD BE GRADUAL AND WITH AN OVERALL CONCAVE SHAPE.



- ELEVATION: HILL GRADING -



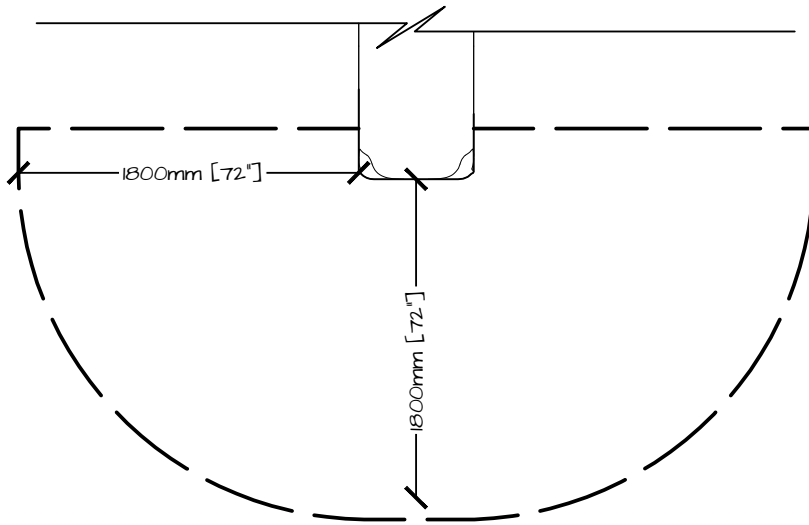
- SECTION: SURFACING ADJACENT TO SLIDE -



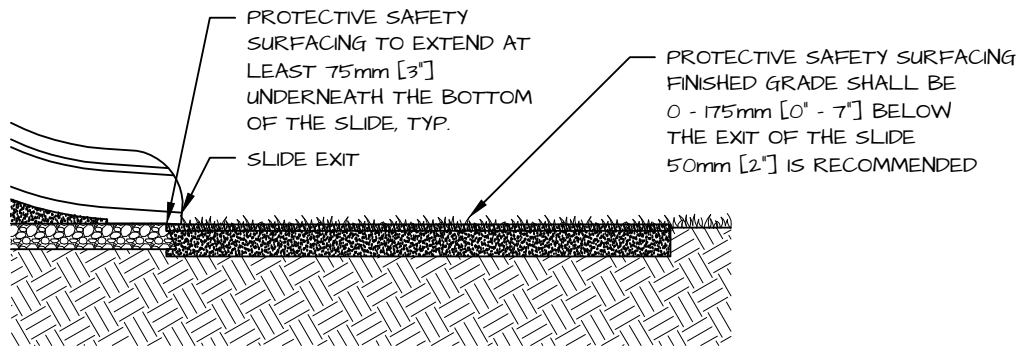
DETAIL

2' EASY INSTALL HILL SLIDE

PRODUCT NUMBER	PAGE	SCALE @ .05x1	DRAWN	CHECKED	PHONE NUMBER
NI-PG-1001-01	4 OF 5	NT.S.	SE	SE	1-877-733-7459



- PLAN: PROTECTIVE SAFETY ZONE -



- SECTION: SURFACING AT BOTTOM OF SLIDE -



DETAIL

2' EASY INSTALL HILL SLIDE

PRODUCT NUMBER

NI-PG-100I-01

PAGE

5 OF 5

SCALE @ .05x1

NT.S.

DRAWN

SE

CHECKED

SE

PHONE NUMBER

1-877-733-7459

