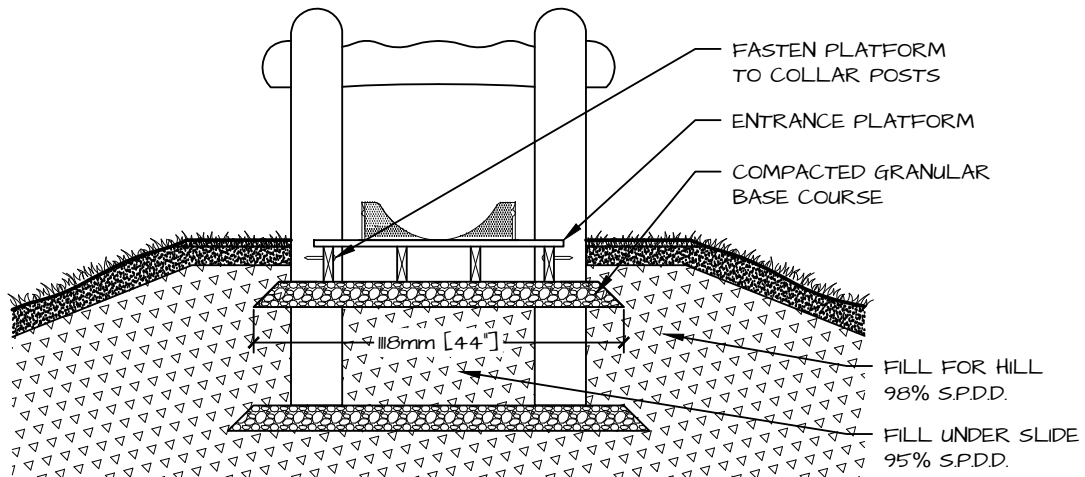


ENTRANCE PLATFORM:

1. ENTRANCE PLATFORM IS 165mm [6½"] THICK AND MEASURES 686 x 699mm [27" x 27½"].
2. INSTALL 150mm [6"] MIN. DEPTH OF CRUSHED GRAVEL (OR ¾" CLEAR GRAVEL) COMPACTED TO 98% SPDD. BELOW THE PLATFORM.
3. ENSURE THAT PLATFORM IS PERFECTLY LEVEL WITH TOP OF SLIDE LEFT TO RIGHT AND FRONT TO BACK.
4. REMOVE TWO DECK BOARDS ON THE SIDE WITH PRE-DRILLED HOLES.
5. SLIDE PLATFORM BETWEEN COLLAR POSTS IN THE NOTCHES TIGHT TO THE SLIDE.
6. ATTACH PLATFORM WITH TWO 12.7mm [½"] SDWS SCREWS (SUPPLIED) IN PREDRILLED HOLES.
7. RE-FASTEN THE LAST TWO DECK BOARDS ADJACENT TO THE SLIDE ENTRANCE.
8. INSTALL A BEAD OF CLEAR SILICONE BETWEEN THE EDGE OF THE SLIDE AND DECK BOARD.



- SECTION: ENTRANCE PLATFORM -



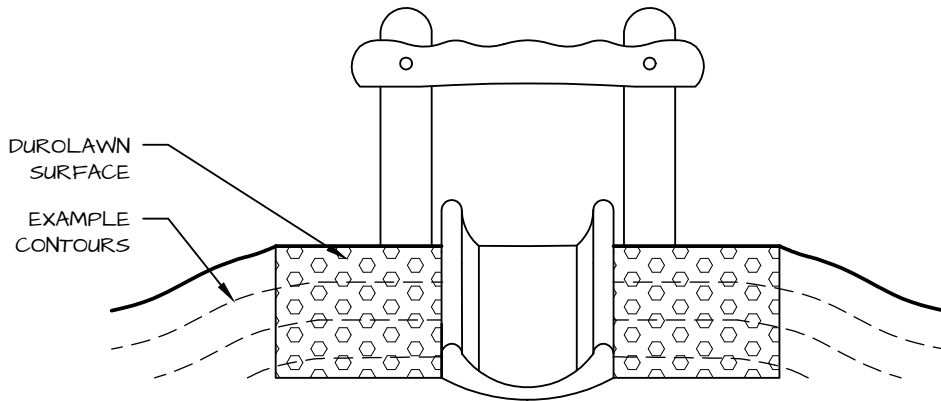
DETAIL

2' EASY INSTALL HILL SLIDE WITH DUROLAWN PROTECTIVE SAFETY SURFACING

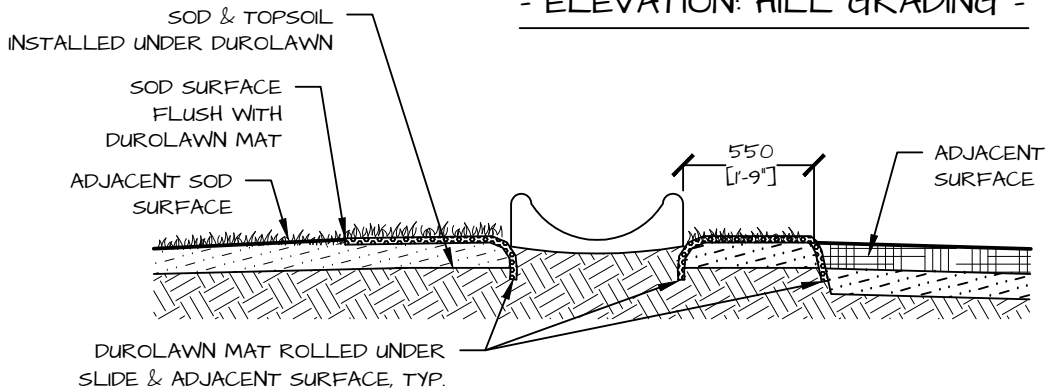
PRODUCT NUMBER	PAGE	SCALE @ .05X	DRAWN	CHECKED	PHONE NUMBER
NI-PG-1001-02	3 OF 6	NT.S.	SE	SE	1-877-733-7459

GRADING:

1. WITHIN 1220 - 1525mm [48" - 60"] FROM THE EDGE OF THE SLIDE, THE FINISHED GRADE OF THE HILL IS TO BE CONTOURED TO MATCH THE SLOPE OF THE SLIDE.
2. OUTSIDE OF THE 1220 - 1525mm [48" - 60"] ZONE THE GRADE SHALL SMOOTHLY TRANSITION INTO THE SURROUNDING HILL.
3. THE CONTOURS SHOWN BELOW ARE AN EXAMPLE OF THE SHAPE OF THE HILL ON THE SIDES OF THE SLIDE.
4. IN GENERAL, THE GRADE SHOULD BE GRADUAL AND WITH AN OVERALL CONCAVE SHAPE.



- ELEVATION: HILL GRADING -



- SECTION: SURFACING ADJACENT TO SLIDE -

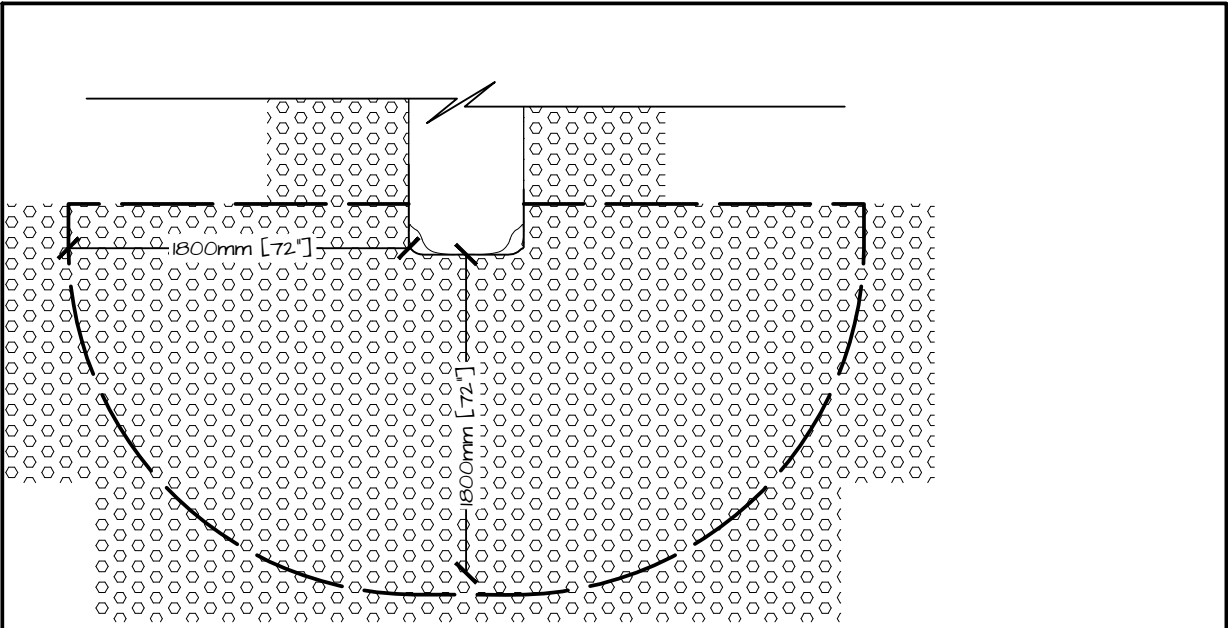


DETAIL

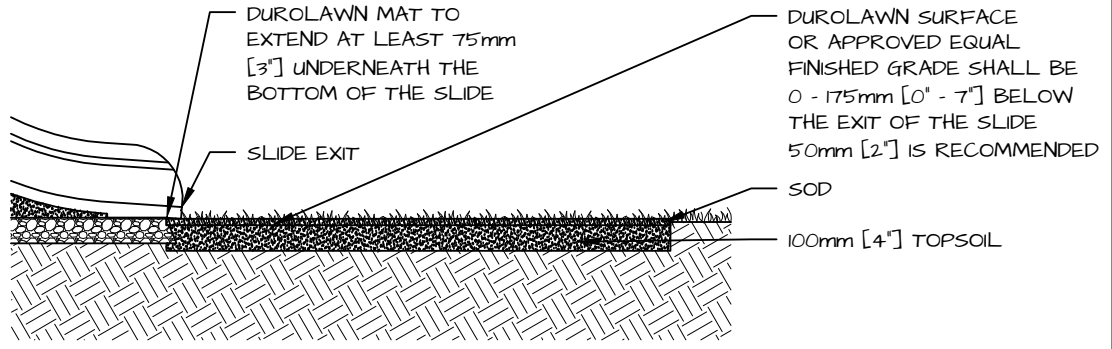
2' EASY INSTALL HILL SLIDE WITH DUROLAWN PROTECTIVE SAFETY SURFACING

PRODUCT NUMBER	PAGE	SCALE @ .05"=1'	DRAWN	CHECKED	PHONE NUMBER
NI-PG-1001-02	4 OF 6	NT.S.	SE	SE	1-877-733-7459

COPYRIGHT © 2016 NATURE'S INSTRUMENTS. DO NOT SCALE DRAWINGS. NOT FOR COMMERCIAL USE OR REPRINT WITHOUT EXPRESSED WRITTEN PERMISSION FROM NATURE'S INSTRUMENTS.



- PLAN: PROTECTIVE SAFETY ZONE -



- SECTION: SURFACING AT BOTTOM OF SLIDE -



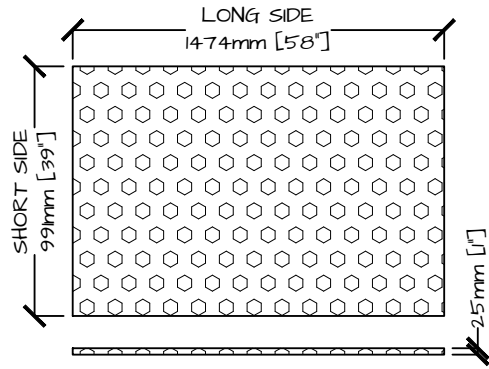
DETAIL
 2' EASY INSTALL HILL SLIDE WITH DUROLAWN PROTECTIVE SAFETY SURFACING

PRODUCT NUMBER	PAGE	SCALE @ .05x1	DRAWN	CHECKED	PHONE NUMBER
NI-PG-1001-02	5 OF 6	NT.S.	SE	SE	1-877-733-7459

COPYRIGHT © 2016 NATURE'S INSTRUMENTS. DO NOT SCALE DRAWINGS. NOT FOR COMMERCIAL USE OR REPRINT WITHOUT EXPRESSED WRITTEN PERMISSION FROM NATURE'S INSTRUMENTS.

DUROLAWN INSTALLATION:

1. DUROLAWN IS A RUBBER MAT GRASS PROTECTION SYSTEM, IMPACT RATED UP TO 2438mm [96"] FALL HEIGHT.
2. DUROLAWN IS MAINTAINED IN THE SAME MANNER AS TYPICAL GRASS.
3. FOR BEST RESULTS INSTALL 100mm [4"] OF TOPSOIL (COMPACTED), THEN SOD THEN DUROLAWN MATS.
4. START WITH THE DUROLAWN MATS ADJACENT TO THE SIDES OF THE SLIDE.
5. SLIDE THE DUROLAWN MAT 150 - 200mm [6" - 8"] UNDER THE SIDES OF THE SLIDE.
6. ROLL THE REST OF THE DUROLAWN MAT OUT OF THE WAY OVER THE SIDES OF THE SLIDE.
7. POSITION MAT AT THE BOTTOM OF THE SLIDE. ENSURE THIS MAT EXTENDS AT LEAST 75mm [3"] UNDERNEATH THE BOTTOM OF THE SLIDE.
8. ROLL BACK DUROLAWN MATS OVER SOD AND CONTINUE LAYING THE REMAINING DUROLAWN MATS.
9. IF SOD IS BEING INSTALLED OUTSIDE THE DUROLAWN SURFACING THE SOD SHOULD BE RAISED SO THAT THE CROWN OF THE SOD IS LEVEL WITH THE TOP OF THE DUROLAWN MAT.



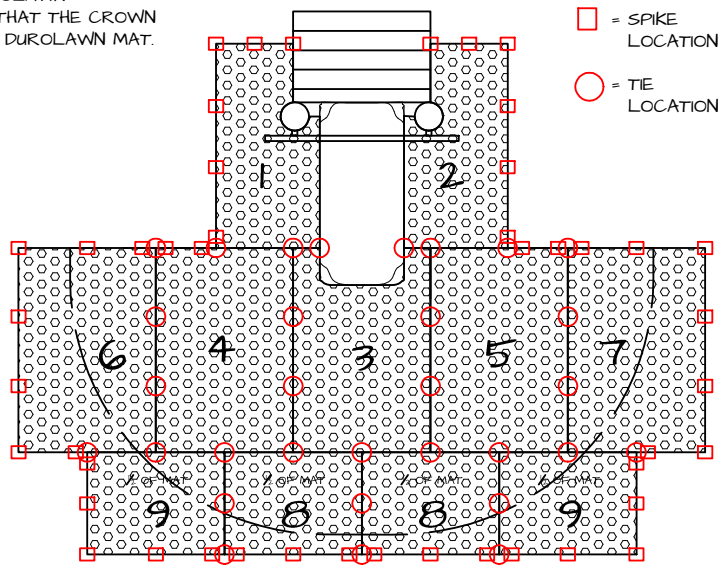
WWW.DUROLAWN.COM

CABLE TIE PATTERN:

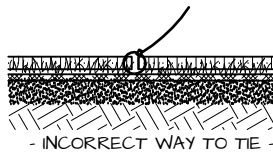
1. SHORT SIDE: THREE TIES REQUIRED (ONE ON EACH CORNER, ONE IN THE CENTER).
2. LONG SIDE: TWO TIES REQUIRED (TWO EVENLY SPACED BETWEEN THE TIES ON THE CORNERS).
3. LOOP THE TIE THROUGH A HOLE IN ONE DUROLAWN MAT AND THEN THROUGH A HOLE IN THE ADJACENT DUROLAWN MAT.
4. CUT THE TIE CLOSE TO THE SQUARE LATCH AND TURN THE CUT END OF THE TIE UNDER TO POINT TOWARDS THE BOTTOM OF THE MAT.

PERIMETER SPIKE PATTERN

1. 200mm (8") SPIKES ARE USED TO PIN THE PERIMETER OF THE DUROLAWN MATS TO PREVENT EASY LIFTING.
2. SPIKES TO BE 369mm [14 1/2"] ON CENTRE.
3. BEFORE INSTALLING SPIKES CONSULT WITH DESIGNER, CONSULTANT AND/OR CERTIFIED PLAYGROUND INSPECTOR FOR THEIR VIEW ON THE USE OF THE SPIKES.
4. IF CUTTING A SHAPE, DO NOT SPIKE PERIMETER UNTIL THE SHAPE IS CUT.



- PLAN: DUROLAWN -

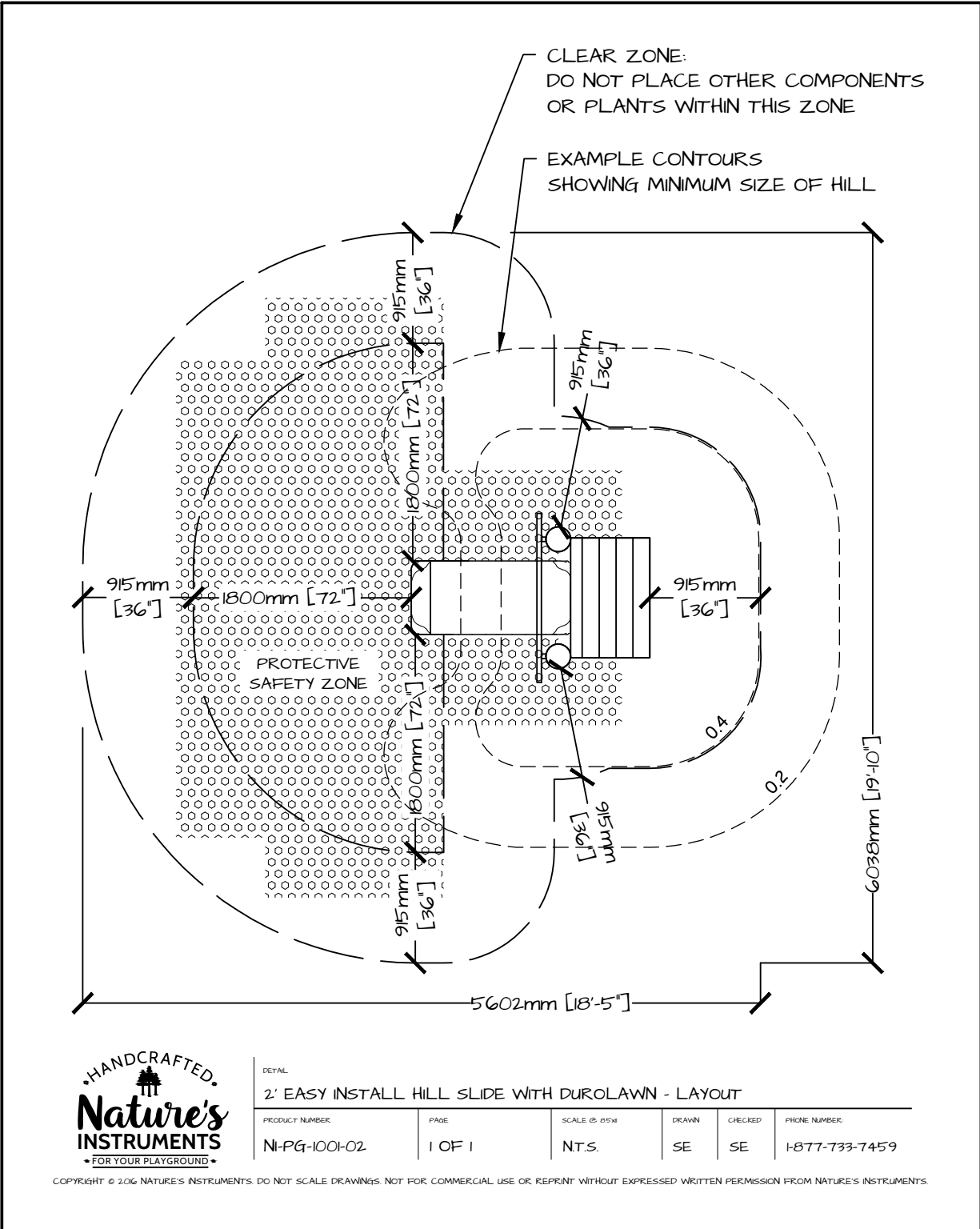


DETAIL

2' EASY INSTALL HILL SLIDE WITH DUROLAWN PROTECTIVE SAFETY SURFACING

PRODUCT NUMBER	PAGE	SCALE @ .05X	DRAWN	CHECKED	PHONE NUMBER
NI-PG-100I-02	6 OF 6	N.T.S.	SE	SE	1-877-733-7459

COPYRIGHT © 2016 NATURE'S INSTRUMENTS. DO NOT SCALE DRAWINGS. NOT FOR COMMERCIAL USE OR REPRINT WITHOUT EXPRESSED WRITTEN PERMISSION FROM NATURE'S INSTRUMENTS.



DETAIL						
2' EASY INSTALL HILL SLIDE WITH DUROLAWN - LAYOUT						
PRODUCT NUMBER	PAGE	SCALE @ .05X	DRAWN	CHECKED	PHONE NUMBER	
NI-PG-1001-02	1 OF 1	NT.S.	SE	SE	1-877-733-7459	

COPYRIGHT © 2016 NATURE'S INSTRUMENTS. DO NOT SCALE DRAWINGS. NOT FOR COMMERCIAL USE OR REPRINT WITHOUT EXPRESSED WRITTEN PERMISSION FROM NATURE'S INSTRUMENTS.