

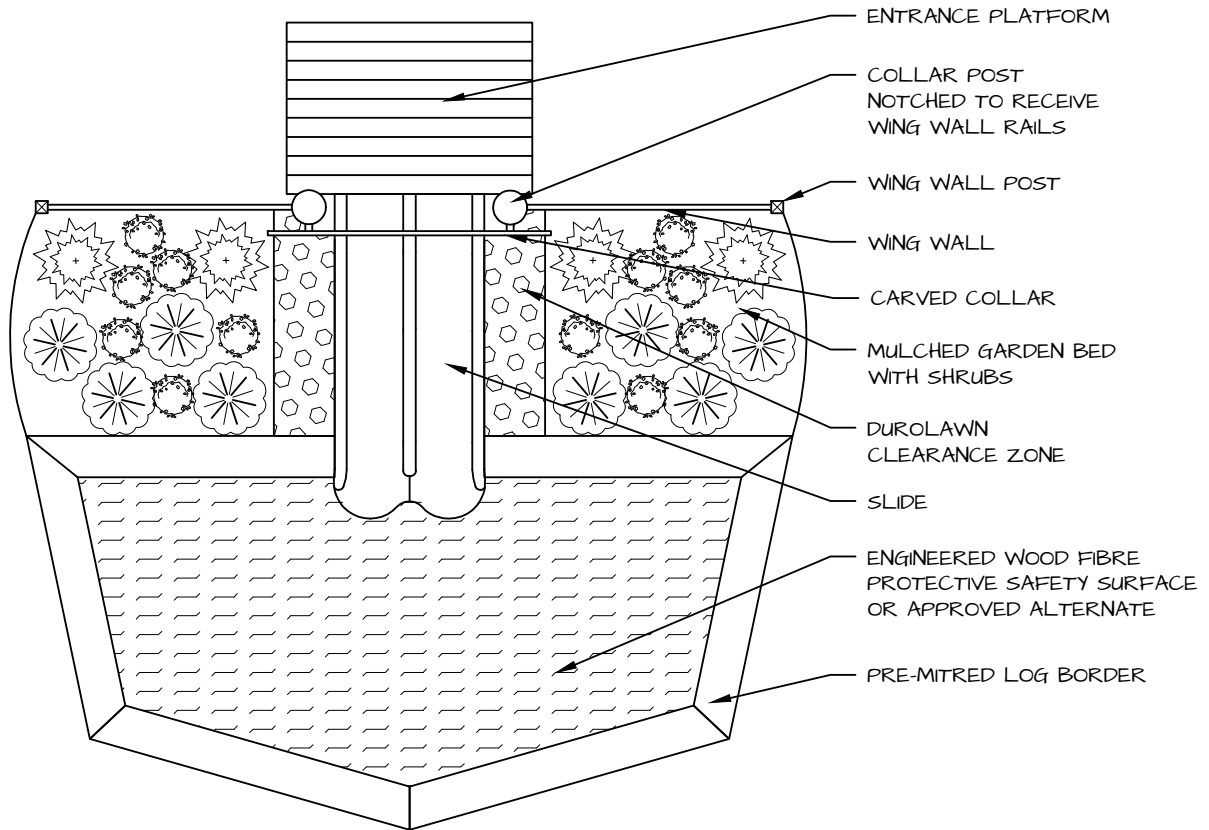
SLIDE COMPONENTS:

NATURE'S INSTRUMENTS NI-PG-1002-01 TRIPLE RAIL HILL SLIDE.

NI PACKAGE INCLUDES:-

- 915mm [36"] HT. SLIDE FRAME: x 1
- WITH PRE-ATTACHED SLIDE AND COLLAR
- WING WALL POST: x 2
- PRE-ASSEMBLED WING WALL RAILINGS: x 2
- 76mm [3"] BROWN CERAMIC COATED DECK SCREWS: x 16
- PRE-ASSEMBLED ENTRANCE PLATFORM: x 1
- 13 x 152mm [½" x 6"] GALV. LAG BOLTS WITH WASHERS: x 2
- 51mm [2"] BROWN CERAMIC COATED DECK SCREWS: x 20
- DUROLAWN MAT WITH STAKES & ZIPTIES: x 4
- PRE-MITRED LOG BORDER: x 14.6 linm [4.8 lin.ft]
- 25.4mm [10"] S.D.W.S. FASTENER: x 5
- DRILL BIT FOR FASTENERS: x 1

STRUCTURAL FILL, SONOTUBES, CONCRETE, GRAVEL, CLEAR SILICONE, ENGINEERED WOOD FIBRE (E.W.F), GEO-TEXTILE, SOIL, PLANTS & MULCH ARE NOT SUPPLIED.



- PLAN -



DETAIL

3' EASY INSTALL HILL SLIDE

PRODUCT NUMBER

NI-PG-1002-01

PAGE

1 OF 9

SCALE @ .05x1

NT.S.

DRAWN

SE

CHECKED

SE

PHONE NUMBER

1-877-733-7459





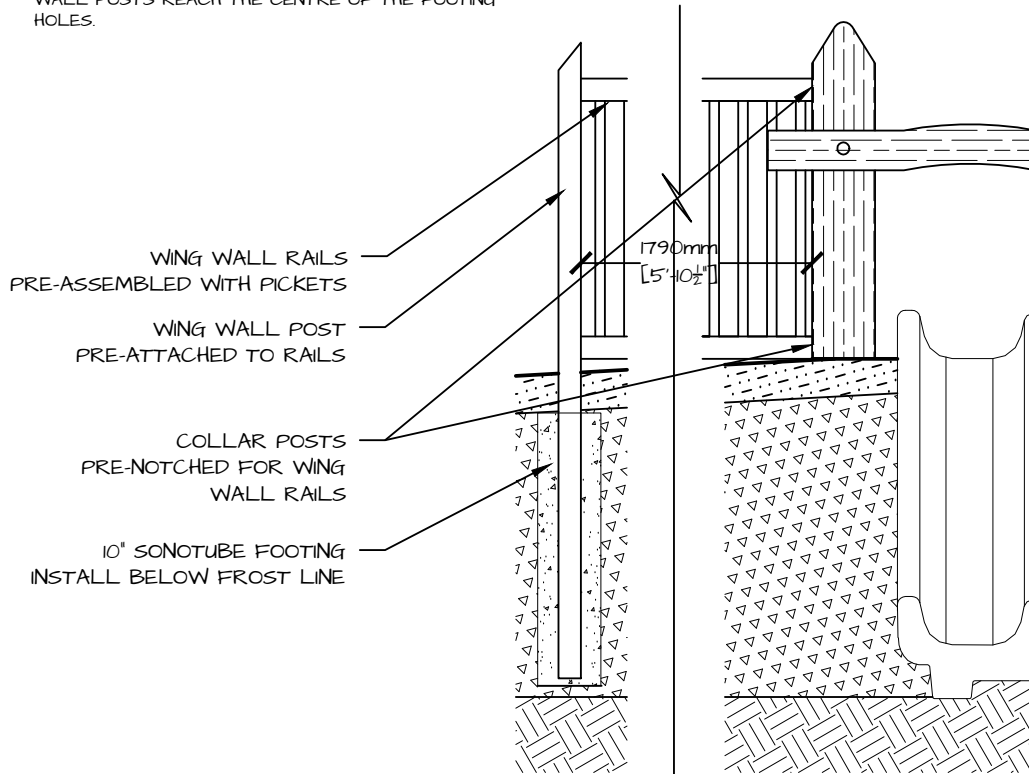






WING WALLS:

1. WING WALLS TO BE INSTALLED WITH PICKETS FACING THE SLIDE ENTRANCE SIDE OF THE SLIDE (TOP OF HILL).
2. DEPENDING ON THE SHAPE AND TYPE OF FINISHED SURFACE ON THE HILL, A BARRIER MAY BE INSTALLED BETWEEN THE WING WALL POST AND THE COLLAR POST TO RETAIN A MINIMAL AMOUNT OF MATERIAL FROM SLIDING INTO THE GARDEN BEDS.
3. WING WALL POSTS WILL BE APPROX 1829mm [72"] FROM THE COLLAR POSTS.
4. ENSURE THAT WHEN WING WALL RAILS ARE POSITIONED IN THE NOTCHES OF THE COLLAR POSTS THE WING WALL POSTS REACH THE CENTRE OF THE FOOTING HOLES.
5. DIG HOLES FOR 254mm [10"] Ø SONOTUBES TO AT LEAST 1220mm [48"] BELOW FINISHED GRADE, IE. BELOW THE FROST LINE
6. INSTALL WING WALL SECTIONS.
  - 6.1. PLACE RAILS INTO NOTCHES IN COLLAR POSTS.
  - 6.2. INSTALL SCREWS IN PRE-DRILLED HOLES IN RAILS TO FASTEN TO COLLAR POSTS.
  - 6.3. SUSPEND WING WALL POSTS IN SONOTUBES.
  - 6.4. LEVEL THE RAILS AND PLUMB THE POST.
  - 6.5. INSTALL CONCRETE.



- SECTION: WING WALLS -



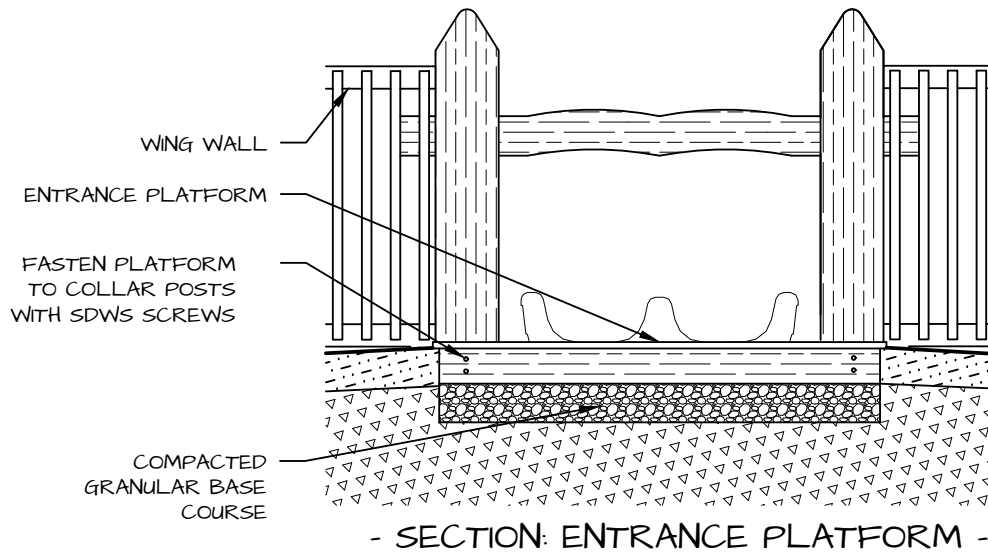
DETAIL

3' EASY INSTALL HILL SLIDE

PRODUCT NUMBER	PAGE	SCALE @ .05x1	DRAWN	CHECKED	PHONE NUMBER
NI-PG-1002-01	7 OF 9	N.T.S.	SE	SE	1-877-733-7459

**ENTRANCE PLATFORM:**

1. SLIDE ENTRANCE PLATFORM IS 165mm [6½"] THICK
2. INSTALL 150mm [6"] MIN. DEPTH OF CRUSHED GRAVEL (OR ¾" CLEAR GRAVEL) COMPACTED TO 98% S.P.D.D. BELOW THE PLATFORM.
3. POSITION PLATFORM SO THAT THE LONG SIDE OF THE PLATFORM WITH PRE-DRILLED HOLES IS FLUSH AGAINST THE TOP OF SLIDE AND COLLAR POSTS.
4. ENSURE THAT THE PLATFORM IS PERFECTLY LEVEL WITH THE TOP OF SLIDE, LEFT TO RIGHT AND FRONT TO BACK.
5. REMOVE TWO DECK BOARDS ON THE SIDE OF THE PLATFORM WITH PRE-DRILLED HOLES.
6. ATTACH THE PLATFORM WITH TWO SUPPLIED SDWS STRUCTURAL SCREWS THROUGH PREDRILLED HOLES IN THE SIDE OF THE PLATFORM INTO EACH COLLAR POST.
7. RE-FASTEN LAST TWO DECK BOARDS ADJACENT TO THE SLIDE ENTRANCE.
8. INSTALL A BEAD OF CLEAR SILICONE BETWEEN THE EDGE OF THE SLIDE AND THE DECK BOARD.



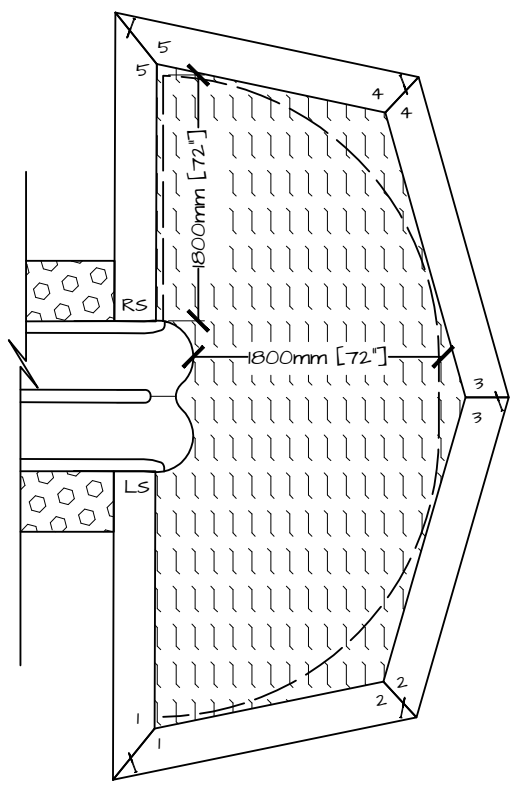
DETAIL

**3' EASY INSTALL HILL SLIDE**

PRODUCT NUMBER	PAGE	SCALE @ .05x1	DRAWN	CHECKED	PHONE NUMBER
NI-PG-1002-01	8 OF 9	NT.S.	SE	SE	1-877-733-7459

COPYRIGHT © 2016 NATURE'S INSTRUMENTS. DO NOT SCALE DRAWINGS. NOT FOR COMMERCIAL USE OR REPRINT WITHOUT EXPRESSED WRITTEN PERMISSION FROM NATURE'S INSTRUMENTS.





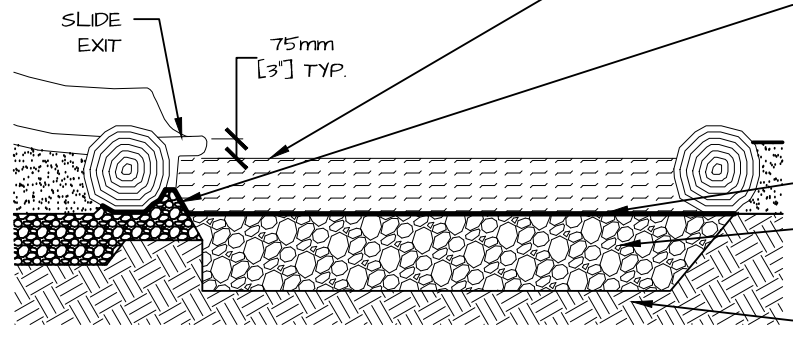
- PLAN: SAFETY SURFACING -

**SAFETY SURFACING:**

1. 300mm [12"] OF ENGINEERED WOOD FIBRE (E.W.F.) OR APPROVED ALTERNATE TO BE INSTALLED AT BASE OF SLIDE WITHIN LOG BORDER.
2. INSTALL E.W.F. ACCORDING TO MANUFACTURER'S RECOMMENDATIONS.
3. E.W.F. MAY REQUIRE A 300mm [12"] PERCOLATION BED FOR DRAINAGE.

**LOG BORDER:**

1. LOG BORDER COMES PRE-MITERED.
2. ALL MITERS ARE LABELED TO MATCH EACH OTHER
3. POSITION LOGS LABELED 'LS' & 'RS' SO THEY ARE PERPENDICULAR TO THE SLIDE.
4. PLACE LOGS BY MATCHING NUMBERS AND ALIGNING THE MITERED EDGES.
5. LOGS TO BE BURIED AT LEAST 1/3 THEIR HEIGHT.
6. FASTEN MITERS TOGETHER WITH SDWS SCREWS IN PRE-DRILLED AND COUNTERSUNK HOLES.
7. JOINTS BETWEEN LOGS SHALL NOT EXCEED 15mm [1/2"]
8. ENSURE THE LOGS MEET THE EDGES OF THE SLIDE AND TOP OF THE LOGS ARE LEVEL WITH THE RAILS OF THE SLIDE.



- SECTION: SAFETY SURFACING -

ENGINEERED WOOD FIBRE FINISHED GRADE SHALL BE 0 - 175mm [0" - 7"] BELOW THE SLIDE EXIT. 75mm [3"] IS RECOMMENDED

CARVE GRANULAR BASE UNDER SLIDE TO TERMINATE THE BASE 100 - 150mm [4" - 6"] BEFORE THE EXIT OF THE SLIDE TO NOT INTERFERE WITH THE SAFETY SURFACE

GEOTEXTILE FABRIC

3/4" CLEAR STONE DRAINAGE LAYER WRAPPED IN GEOTEXTILE

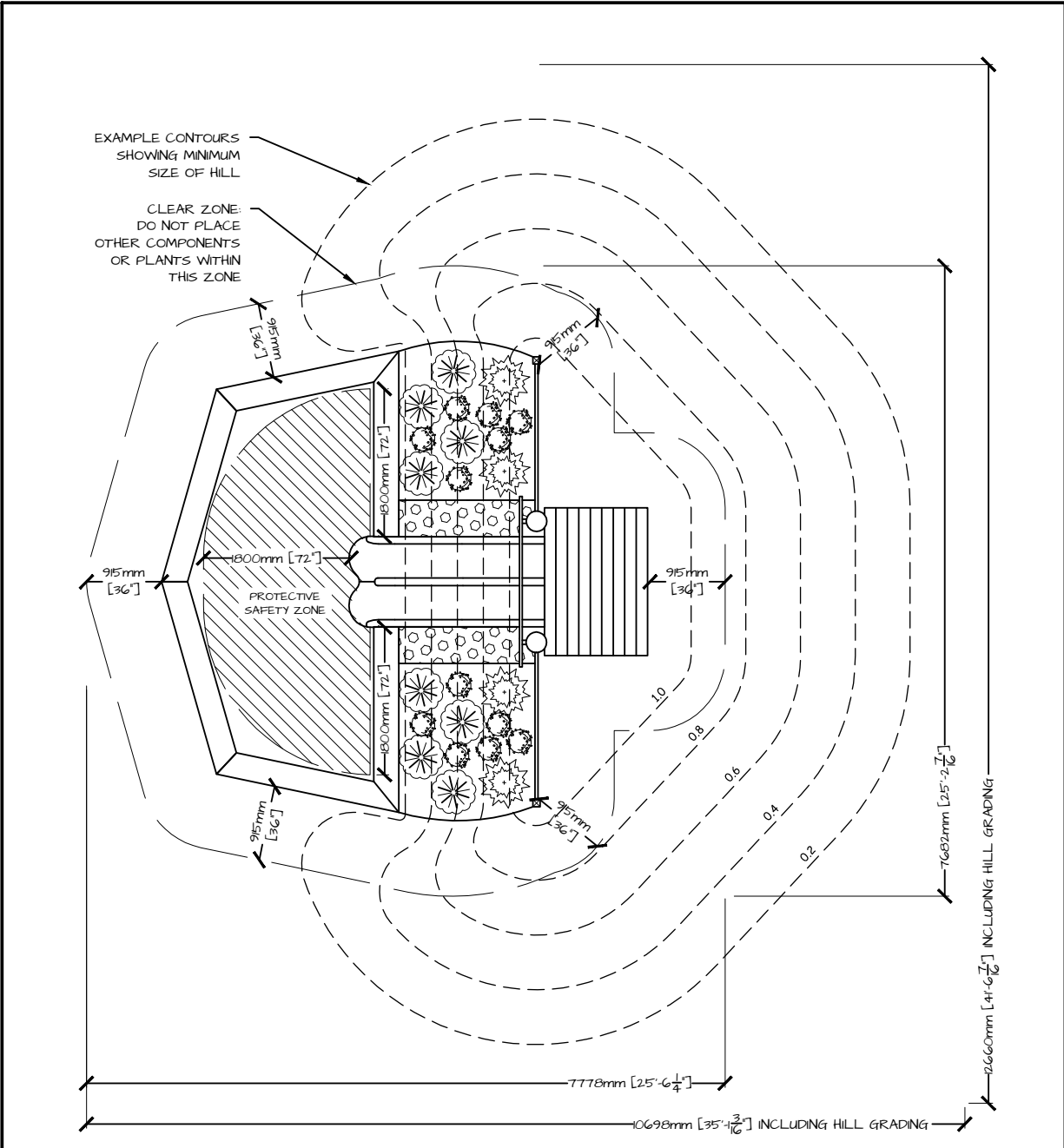
UNDISTURBED SOIL



DETAIL  
3' EASY INSTALL HILL SLIDE

PRODUCT NUMBER	PAGE	SCALE @ .05X1	DRAWN	CHECKED	PHONE NUMBER
NI-PG-1002-01	9 OF 9	NT.S.	SE	SE	1-877-733-7459

COPYRIGHT © 2016 NATURE'S INSTRUMENTS. DO NOT SCALE DRAWINGS. NOT FOR COMMERCIAL USE OR REPRINT WITHOUT EXPRESSED WRITTEN PERMISSION FROM NATURE'S INSTRUMENTS.



DETAIL

3' EASY INSTALL HILL SLIDE - LAYOUT

PRODUCT NUMBER	PAGE	SCALE @ .85x1	DRAWN	CHECKED	PHONE NUMBER
NI-PG-1002-01	1 OF 1	NT.S.	SE	SE	1-877-733-7459

COPYRIGHT © 2016 NATURE'S INSTRUMENTS. DO NOT SCALE DRAWINGS. NOT FOR COMMERCIAL USE OR REPRINT WITHOUT EXPRESSED WRITTEN PERMISSION FROM NATURE'S INSTRUMENTS.