

CHALKBOARD PANEL: POST MOUNT

PRODUCT NUMBER  
NI-PG-301-01

LAYOUT PLAN

PAGE 1 OF 1	SCALE @ 8.5x11 1:25	DRAWN PR	CHECKED DR	PHONE NUMBER: 1-877-733-7456
----------------	------------------------	-------------	---------------	---------------------------------

## COMPONENTS

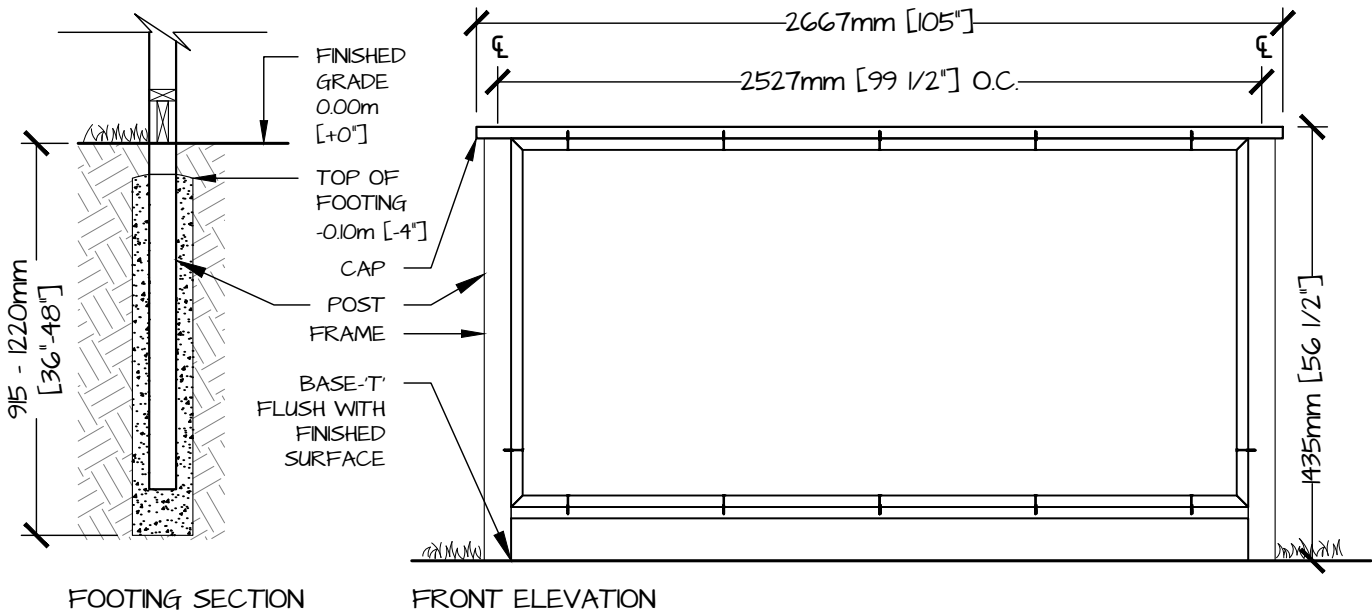
NATURE'S INSTRUMENTS NI-PG-301-01 POST MOUNTED CHALKBOARD PANEL. NI PACKAGE INCLUDES:

- 89 x 89mm [4"x4"] CEDAR POST: x2
- PRE-ASSEMBLED CHALKBOARD PANEL: xl
- PAINTED BOTH SIDES, FRAMED IN CEDAR TRIM
- PRE-ASSEMBLED CEDAR BASE-T': xl
- 38 x 140mm [2"x6"] CEDAR CAP: xl
- 64mm [2 1/2"] BROWN DECK SCREWS: x36

203mm [8"] Ø CONCRETE SONOTUBE FOOTINGS ARE NOT SUPPLIED.

## PANEL INSTALLATION

1. FASTEN THE POSTS TO EACH SIDE OF THE CHALKBOARD PANEL USING SUPPLIED SCREWS FASTENED THROUGH PRE-DRILLED HOLES IN THE PANEL FRAME (FRONT & BACK).
2. TOP OF POSTS TO BE FLUSH WITH THE TOP OF THE FRAME.
3. FASTEN THE BASE-T' TO THE BOTTOM OF THE PANEL USING SUPPLIED SCREWS THROUGH PRE-DRILLED HOLES IN THE PANEL FRAME (FRONT & BACK).
  - 3.a. BASE-T' TO BE FLUSH WITH FINISHED SURFACE. FASTEN CAP TO THE TOP OF THE PANEL USING SUPPLIED SCREWS THROUGH PRE-DRILLED HOLES IN THE PANEL FRAME (FRONT & BACK).
4. IF INSTALLED AGAINST A WALL OR FENCE, THE CAP MUST BE FLUSH WITH THE BACK OF THE PANEL FRAME WITH 25mm [1"] OVERHANG ON BOTH SIDES.
  - 4.a. IF INSTALLED FOR CIRCULATION ON ALL SIDES, THE CAP CAN BE CENTERED ON POSTS FRONT TO BACK.
5. FOOTING HOLES TO EXTEND BELOW THE FROST LINE FOR YOUR REGION, 914 - 1220mm [36"-48"] BELOW FINISHED GRADE.
6. PLACE THE POSTS (ATTACHED TO THE ASSEMBLED PANEL) INTO PRE-DUG HOLES.
  - 6.a. ENSURE BOTTOM OF BASE-T' IS FLUSH WITH FINISHED GRADE OF SURROUNDING SURFACES.
  - 6.b. LEVEL THE PANEL LEFT TO RIGHT.
7. FILL SONOTUBES WITH POST-MIX CONCRETE AS PER CONCRETE MANUFACTURER'S INSTRUCTIONS.
8. FOOTING TO BE NON-VISIBLE; TOP OF CONCRETE TO REMAIN AT LEAST 102mm [4"] BELOW FINISHED SURFACE.
9. FINISHED SURFACE AROUND THE PANEL MUST BE LEVEL FOR THE ENTIRE LENGTH OF THE PANEL.
10. FOLLOW ADJACENT SURFACES DETAILS.
11. RESTORE ADJACENT SURFACING TO PRE-CONSTRUCTION CONDITION UNLESS OTHERWISE SPECIFIED.



## CHALKBOARD PANEL: POST MOUNT

PRODUCT NUMBER  
NI-PG-301-01

## INSTALL DRAWING

PAGE	SCALE @ 85x11	DRAWN	CHECKED	PHONE NUMBER:
1 OF 1	1:25	PR	DR	1-877-733-7456