

RECOMMENDED CLEARANCE
ZONE [RCZ]



ART PANEL: POST MOUNTED

PRODUCT NUMBER
NI-PG-303-01

LAYOUT PLAN

PAGE 1 OF 1	SCALE @ 8.5x11 1:25	DRAWN PR	CHECKED LL	PHONE NUMBER: 1-877-733-7456
----------------	------------------------	-------------	---------------	---------------------------------

COMPONENTS

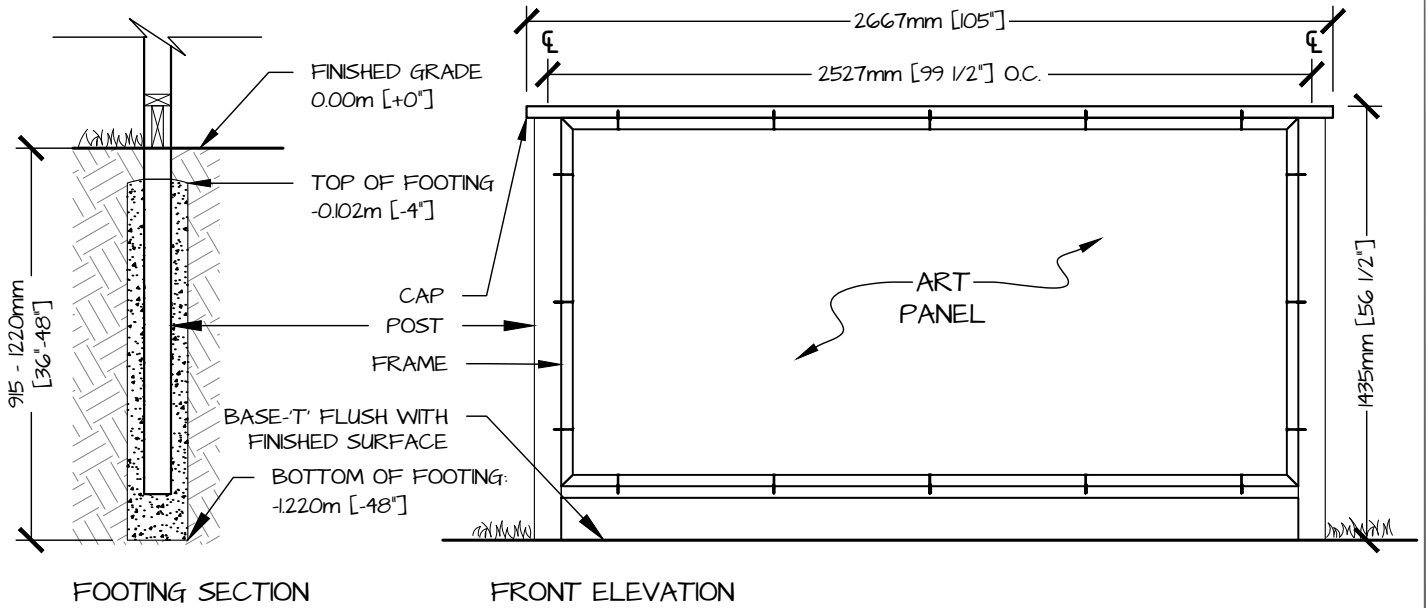
NATURE'S INSTRUMENTS NI-PG-303-01 POST MOUNTED ART PANEL NI PACKAGE INCLUDES:

- 89 x 89mm [4"x4"] CEDAR POST: x 2
- PRE-ASSEMBLED ART PANEL: x 1
- PAINTED BOTH SIDES, FRAMED IN CEDAR TRIM
- PRE-ASSEMBLED CEDAR BASE-T: x 1
- 38 x 140mm [2"x6"] CEDAR CAP: x 1
- 64mm [2 1/2"] BROWN DECK SCREWS: x 36

203mm [8"] Ø CONCRETE SONOTUBE FOOTINGS ARE NOT SUPPLIED.

PANEL INSTALLATION

1. FASTEN THE POSTS TO EACH SIDE OF THE ART PANEL USING SUPPLIED SCREWS FASTENED THROUGH PRE-DRILLED HOLES IN THE PANEL FRAME (FRONT & BACK).
 - 1a. TOP OF POSTS TO BE FLUSH WITH THE TOP OF THE FRAME.
2. FASTEN THE BASE-T TO THE BOTTOM OF THE PANEL USING SUPPLIED SCREWS THROUGH PRE-DRILLED HOLES IN THE PANEL FRAME (FRONT & BACK).
 - 2a. BASE-T TO BE FLUSH WITH FINISHED SURFACE.
3. FASTEN CAP TO THE TOP OF THE PANEL USING SUPPLIED SCREWS THROUGH PRE-DRILLED HOLES IN THE PANEL FRAME (FRONT & BACK).
 - 3a. IF INSTALLED AGAINST A WALL OR FENCE, THE CAP MUST BE FLUSH WITH THE BACK OF THE PANEL FRAME WITH 25mm [1"] OVERHANG ON BOTH SIDES.
 - 3a. IF INSTALLED FOR CIRCULATION ON ALL SIDES, THE CAP CAN BE CENTERED ON POSTS FRONT TO BACK.
4. FOOTING HOLES TO EXTEND BELOW THE FROST LINE FOR YOUR REGION; 915 - 1220mm [36"-48"] BELOW FINISHED GRADE.
5. PLACE THE POSTS (ATTACHED TO THE ASSEMBLED PANEL) INTO PRE-DUG HOLES.
 - 5a. ENSURE BOTTOM OF BASE-T IS FLUSH WITH FINISHED GRADE OF SURROUNDING SURFACES.
 - 5b. LEVEL THE PANEL LEFT TO RIGHT.
6. FILL SONOTUBES WITH POST-MIX CONCRETE AS PER CONCRETE MANUFACTURER'S INSTRUCTIONS.
7. FOOTING TO BE NON-VISIBLE; TOP OF CONCRETE TO REMAIN AT LEAST 102mm [4"] BELOW FINISHED SURFACE.
8. FINISHED SURFACE AROUND THE PANEL MUST BE LEVEL FOR THE ENTIRE LENGTH OF THE PANEL.
9. FOLLOW ADJACENT SURFACES DETAILS.
10. RESTORE ADJACENT SURFACING TO PRE-CONSTRUCTION CONDITION UNLESS OTHERWISE SPECIFIED.



ART PANEL: POST MOUNTED

PRODUCT NUMBER
NI-PG-303-01

INSTALL DRAWING

PAGE 1 OF 1	SCALE @ 8.5x11 1:25	DRAWN PR	CHECKED LL	PHONE NUMBER: 1-877-733-7456
----------------	------------------------	-------------	---------------	---------------------------------