

COMPONENTS

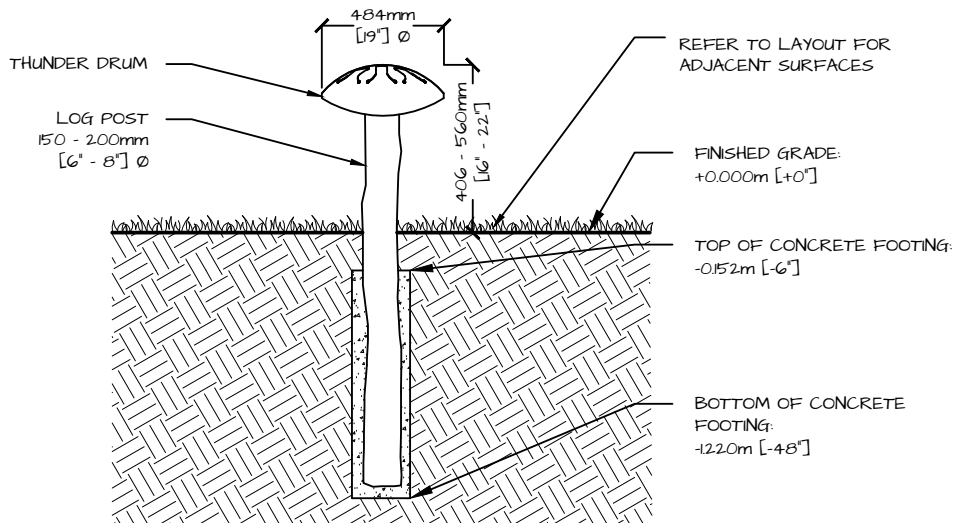
NATURE'S INSTRUMENTS NI-PG-402-04 THUNDER DRUM ON POST. NI PACKAGE INCLUDES:-

- THUNDER DRUM MOUNTED ON POST: x 1
- TUBE Mallet: x 2

SONOTUBE AND OTHER FOOTING MATERIALS ARE NOT SUPPLIED.

NOTES

1. INTENDED USE: THUNDER DRUM ON A POST IS TO BE USED WITH FEET PLANTED FIRMLY ON THE GROUND.
2. PLACE THUNDER DRUM AS PER LAYOUT PLAN.
 - 2.a. CONFIRM LAYOUT AND SPACING ON SITE WITH CLIENT REPRESENTATIVE PRIOR TO INSTALLING FOOTINGS.
3. PLACE DRUM AT LEAST 915mm [36"] AWAY FROM ADJACENT DRUMS, OTHER COMPONENTS, AND PATHWAYS. IF LAYOUT PERMITS, DRUMS SHOULD BE PLACED 1800mm [71"] APART.
4. DRUM HEIGHT TO BE 406 - 560mm [16" - 22"] ABOVE FINISHED SURFACE; SET HEIGHT APPROPRIATE FOR INTENDED AGE GROUP.
5. CONCRETE FOOTING TO REMAIN A MINIMUM OF 150mm [6"] BELOW FINISHED SURFACE.
6. CHOOSE A SONOTUBE LARGE ENOUGH TO ALLOW 100mm [4"] OF CONCRETE ON ALL SIDES OF POST.
7. RESTORE ADJACENT SURFACING TO PRE-CONSTRUCTION CONDITION UNLESS OTHERWISE SPECIFIED.



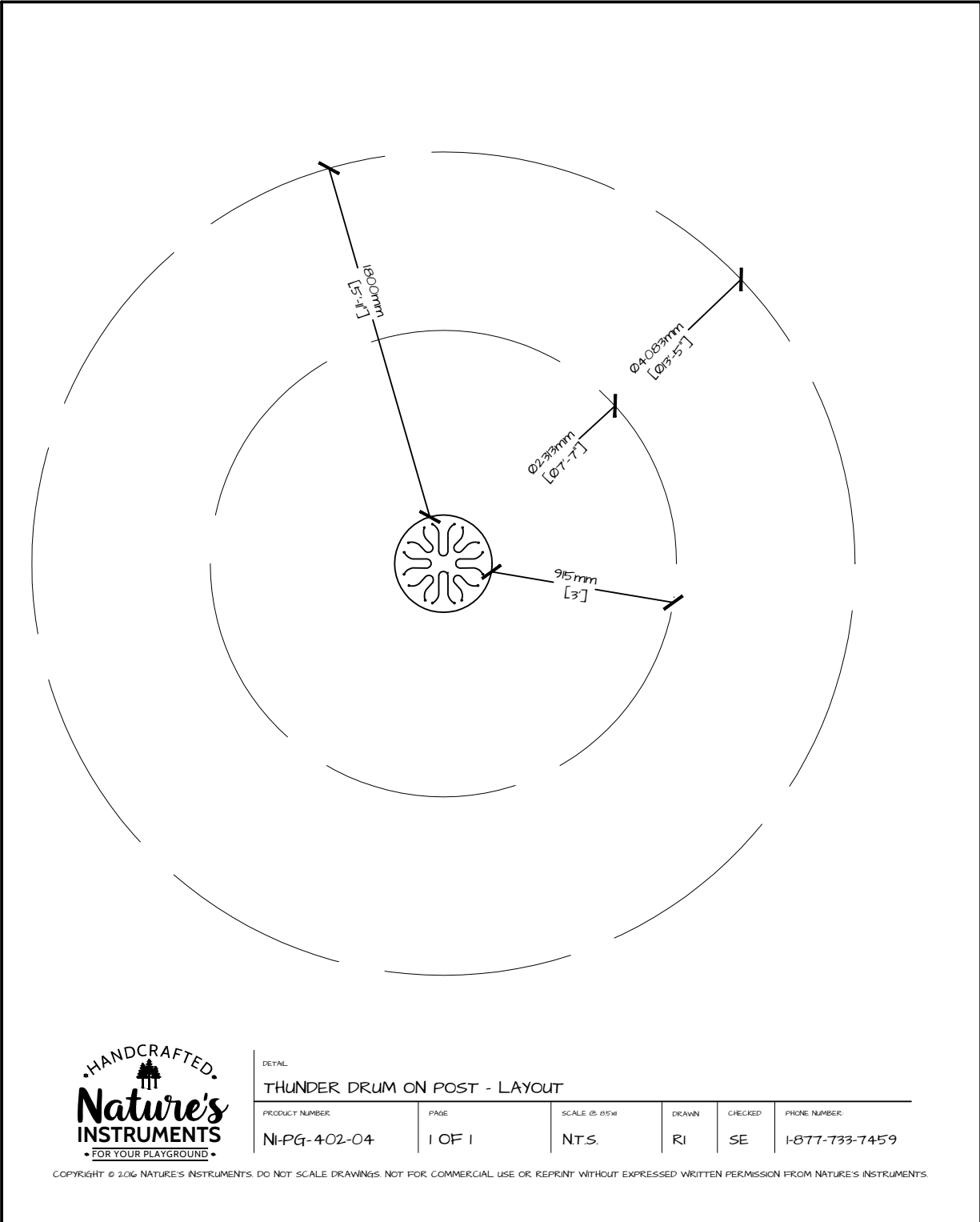
- FRONT SECTION -



DETAIL

THUNDER DRUM ON POST

PRODUCT NUMBER	PAGE	SCALE @ 0.5x	DRAWN	CHECKED	PHONE NUMBER
NI-PG-402-04	1 OF 1	NT.S.	RI	SE	1-877-733-7459



DETAIL
THUNDER DRUM ON POST - LAYOUT

PRODUCT NUMBER	PAGE	SCALE @ 0.5X	DRAWN	CHECKED	PHONE NUMBER
NI-PG-402-04	1 OF 1	NT.S.	RI	SE	1-877-733-7459

COPYRIGHT © 2016 NATURE'S INSTRUMENTS. DO NOT SCALE DRAWINGS. NOT FOR COMMERCIAL USE OR REPRINT WITHOUT EXPRESSED WRITTEN PERMISSION FROM NATURE'S INSTRUMENTS.