

COMPONENTS

NATURE'S INSTRUMENTS NI-PG-403-05 SOARING AMADINDA INCLUDES:-

- SOARING AMADINDA: x 1
- TURNBUCKLE: x 4
- HEAT SHRINK

NATURE'S INSTRUMENTS NI-PG-403-06 POST FRAME INCLUDES:-

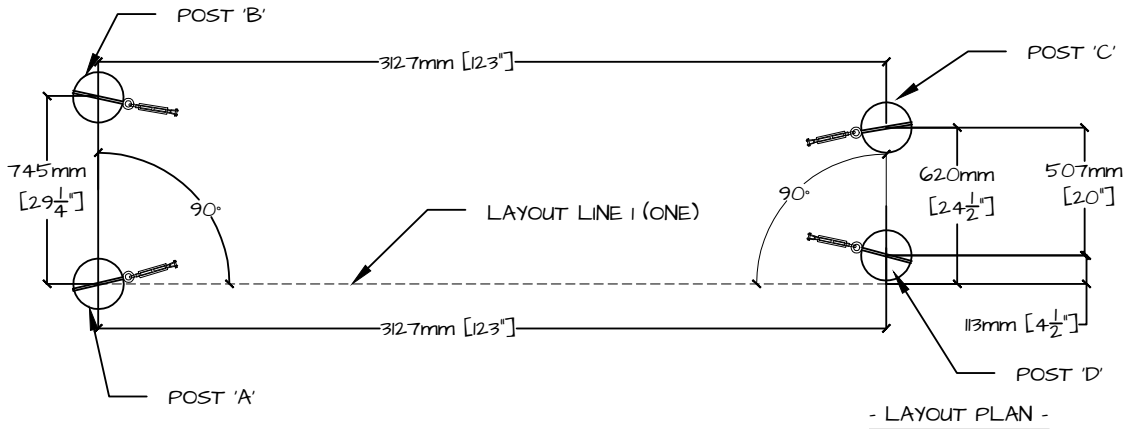
- 200mm [8"] Ø PENCIL POST WITH PRE-ATTACHED EYEBOLT: x 4

NOTE: AMADINDA AND POST FRAME MUST BE ORDERED SEPARATELY.

SONOTUBES AND CONCRETE ARE NOT SUPPLIED.

STEP 1: SPACE REQUIREMENT & POST LAYOUT

1. LAY THE SOARING AMADINDA ON THE GROUND TO INDICATE THE GENERAL SPACE REQUIRED FOR THE SOARING AMADINDA.
2. DETERMINE THE LOCATION OF POST 'A'.
3. STANDING ON THE LOCATION OF POST 'A' AND FACING TO THE CENTRE OF THE SOARING AMADINDA, DRAW A LINE TO THE RIGHT THAT WILL REPRESENT LAYOUT LINE 1 (ONE) AND THE FRONT FACE OF THE AMADINDA.
4. FROM THE CENTRE POINT OF POST 'A', MEASURE UP PERPENDICULAR TO LINE 1 (ONE) 745mm [29"], THIS IS THE LOCATION OF POST 'B'.
5. FROM THE CENTRE POINT OF POST 'A', MEASURE TO THE RIGHT 312.7mm [123"] MAKE SURE THIS MEASUREMENT FOLLOWS LAYOUT LINE 1 (ONE) AND IS PERPENDICULAR TO LAYOUT LINE 2 (TWO)
6. AT THE END OF LAYOUT LINE 1 (ONE) MEASURE UP PERPENDICULAR TO LAYOUT LINE 1 (ONE) 114mm [4½"] THIS IS THE CENTRE POINT OF POST 'D'.
7. AGAIN AT THE END OF LAYOUT LINE 1 (ONE) MEASURE UP PERPENDICULAR TO LAYOUT LINE 1 (ONE) 643mm [24½"] THIS IS THE ENTER POINT OF POST 'C'.



DETAIL

SOARING AMADINDA

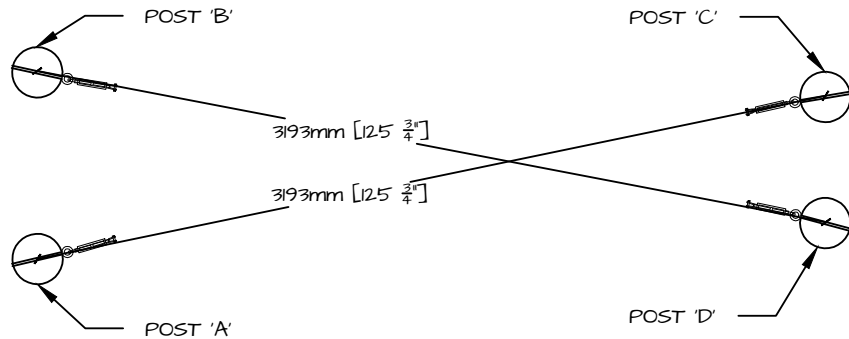
PRODUCT NUMBER	PAGE	SCALE @ .05X	DRAWN	CHECKED	PHONE NUMBER
NI-PG-403-05	1 OF 3	NT.S.	SE	SE	1-877-733-7459

STEP 2: POST LAYOUT VERIFICATION

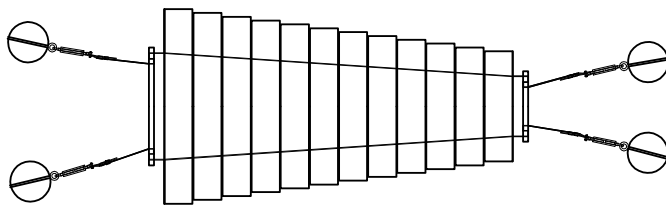
8. NOW THAT ALL 4 POSTS ('A', 'B', 'C' & 'D') ARE LAYED OUT, VERIFY THEIR LOCATIONS BY MEASURING DIAGONALLY FROM POST TO POST. POST 'A' SHOULD BE 3193mm [125.75"] AWAY FROM POST 'C'. AND POST 'B' SHOULD BE 3193mm [125.75"] AWAY FROM POST 'D'.

NOTE:

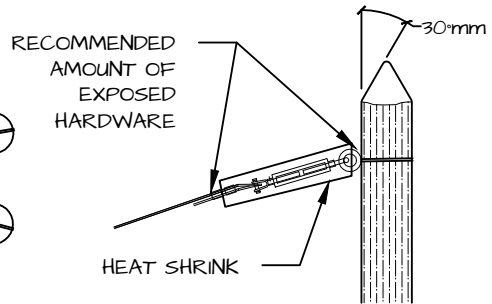
- THE EYEBOLT ON POST 'B' SHOULD BE FACING THE EYEBOLT ON POST 'C'
- THE EYEBOLT ON POST 'A' SHOULD BE FACING THE EYEBOLT ON POST 'D'



- LAYOUT PLAN -  
OTHERWISE SPECIFIED.



- PLAN -



- ATTACHMENT DETAIL -  
N.T.S.



DETAIL

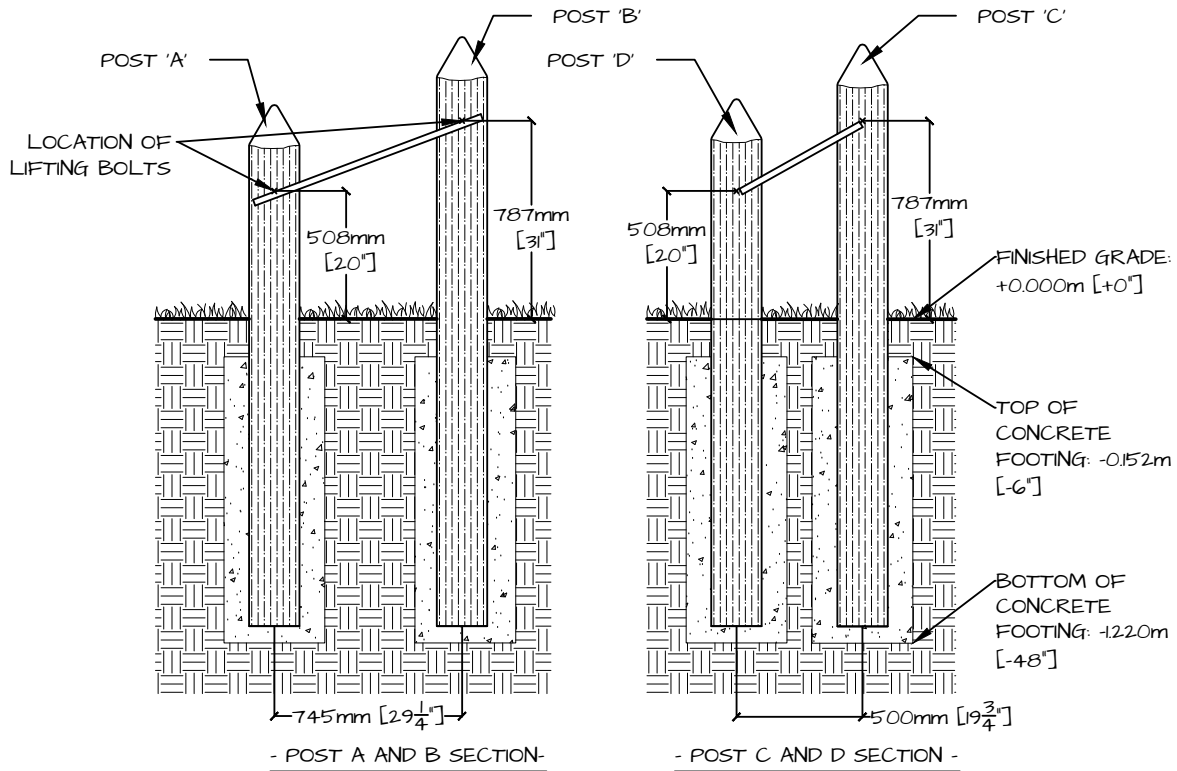
SOARING AMADINDA

PRODUCT NUMBER	PAGE	SCALE @ .05x1	DRAWN	CHECKED	PHONE NUMBER
NI-PG-403-05	2 OF 3	NT.S.	SE	SE	1-877-733-7459

**STEP 3: POST INSTALLATION**

9. DIG POST HOLES 200mm [8"] LARGER THAN THE DIAMETER OF EACH POST.
10. DIG POST HOLES 1220mm [48"] DEEP.
11. POST SHOULD HAVE A MINIMUM OF 100mm [4"] OF CONCRETE ON ALL SIDES.
12. SET POST 'A' AND 'D' SO THE EYE BOLT IS APPROXIMATELY 508mm [20"] ABOVE FINISHED GRADE.
13. SET POST 'B' AND 'C' SO THE EYE BOLT IS APPROXIMATELY 787mm [31"] ABOVE FINISHED GRADE.
14. FOLLOW INSTRUCTIONS ON THE BACK OF THE CONCRETE BAG.

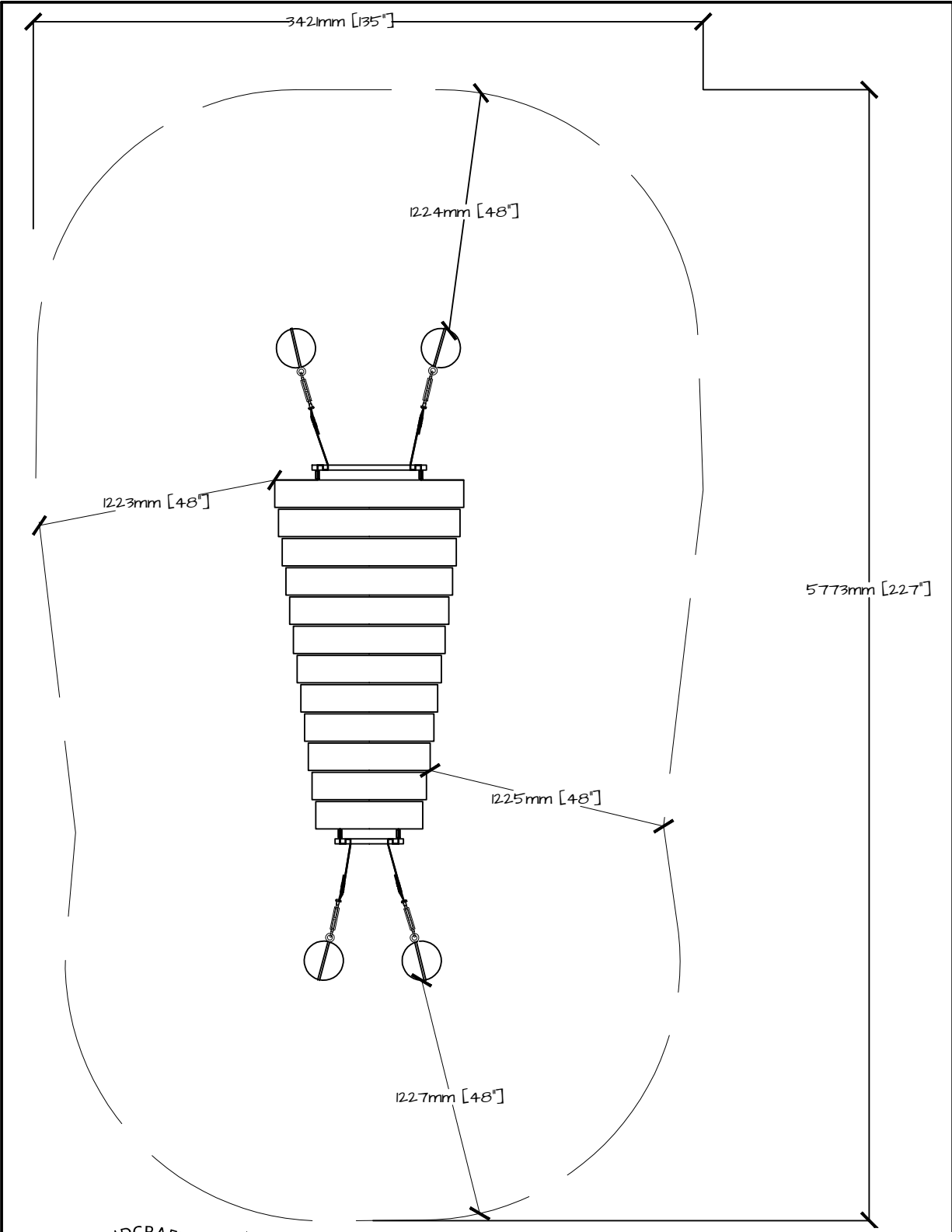
INTENDED USE: AMADINDA IS TO BE USED WITH FEET PLANTED FIRMLY ON THE GROUND.



DETAIL

**SOARING AMADINDA**

PRODUCT NUMBER	PAGE	SCALE @ .05X	DRAWN	CHECKED	PHONE NUMBER
NI-PG-403-05	3 OF 3	N.T.S.	SE	SE	1-877-733-7459



DETAIL					
SOARING AMADINDA					
PRODUCT NUMBER	PAGE	SCALE @ 0.5x	DRAWN	CHECKED	PHONE NUMBER
NI-PG-403-05	1 OF 1	N.T.S.	SE	SE	1-877-733-7459

COPYRIGHT © 2016 NATURE'S INSTRUMENTS. DO NOT SCALE DRAWINGS. NOT FOR COMMERCIAL USE OR REPRINT WITHOUT EXPRESSED WRITTEN PERMISSION FROM NATURE'S INSTRUMENTS.