

COMPONENTS

NATURE'S INSTRUMENTS NI-PG-403-05 SOARING AMADINDA INCLUDES:-

- SOARING AMADINDA: x 1
- TURNBUCKLE: x 4
- HEAT SHRINK

NATURE'S INSTRUMENTS NI-PG-403-06 POST FRAME INCLUDES:-

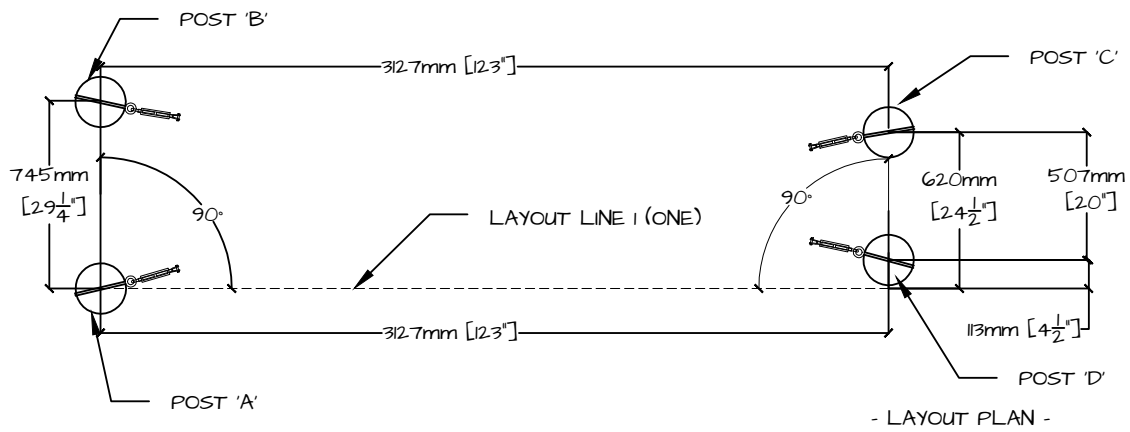
- 200mm [8"] Ø PENCIL POST WITH PRE-ATTACHED EYEBOLT: x 4

NOTE: AMADINDA AND POST FRAME MUST BE ORDERED SEPARATELY.

SONOTUBES AND CONCRETE ARE NOT SUPPLIED.

STEP 1: SPACE REQUIREMENT & POST LAYOUT

1. LAY THE SOARING AMADINDA ON THE GROUND TO INDICATE THE GENERAL SPACE REQUIRED FOR THE SOARING AMADINDA.
2. DETERMINE THE LOCATION OF POST 'A'.
3. STANDING ON THE LOCATION OF POST 'A' AND FACING TO THE CENTRE OF THE SOARING AMADINDA, DRAW A LINE TO THE RIGHT THAT WILL REPRESENT LAYOUT LINE 1 (ONE) AND THE FRONT FACE OF THE AMADINDA.
4. FROM THE CENTRE POINT OF POST 'A'; MEASURE UP PERPENDICULAR TO LINE 1 (ONE) 745mm [29"], THIS IS THE LOCATION OF POST 'B'.
5. FROM THE CENTRE POINT OF POST 'A'; MEASURE TO THE RIGHT 312.7mm [12.3"] MAKE SURE THIS MEASUREMENT FOLLOWS LAYOUT LINE 1 (ONE) AND IS PERPENDICULAR TO LAYOUT LINE 2 (TWO)
6. AT THE END OF LAYOUT LINE 1 (ONE) MEASURE UP PERPENDICULAR TO LAYOUT LINE 1 (ONE) 114mm [4½"] THIS IS THE CENTRE POINT OF POST 'D'.
7. AGAIN AT THE END OF LAYOUT LINE 1 (ONE) MEASURE UP PERPENDICULAR TO LAYOUT LINE 1 (ONE) 643mm [24½"] THIS IS THE ENTER POINT OF POST 'C'.



DETAIL

SOARING AMADINDA: POST MOUNT

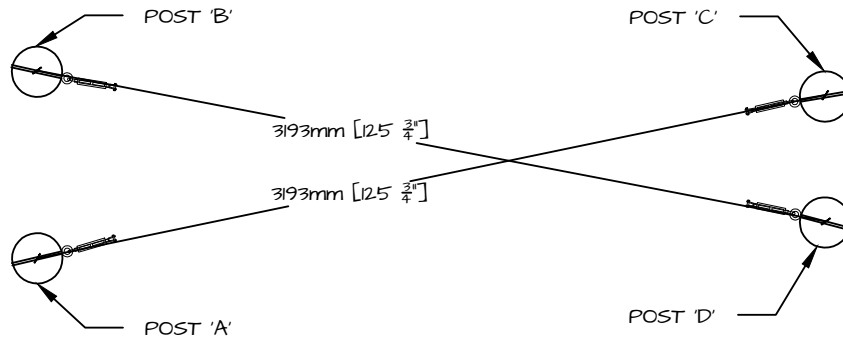
PRODUCT NUMBER	PAGE	SCALE @ .85x	DRAWN	CHECKED	PHONE NUMBER
NI-PG-403-06	1 OF 4	NT.S.	SE	SE	1-877-733-7459

STEP 2: POST LAYOUT VERIFICATION

8. NOW THAT ALL 4 POSTS ('A', 'B', 'C' & 'D') ARE LAYED OUT, VERIFY THEIR LOCATIONS BY MEASURING DIAGONALLY FROM POST TO POST. POST 'A' SHOULD BE 3193mm [125.75"] AWAY FROM POST 'C'. AND POST 'B' SHOULD BE 3193mm [125.75"] AWAY FROM POST 'D'.

NOTE:

- THE EYEBOLT ON POST 'B' SHOULD BE FACING THE EYEBOLT ON POST 'C'
- THE EYEBOLT ON POST 'A' SHOULD BE FACING THE EYEBOLT ON POST 'D'



- LAYOUT PLAN -



DETAIL

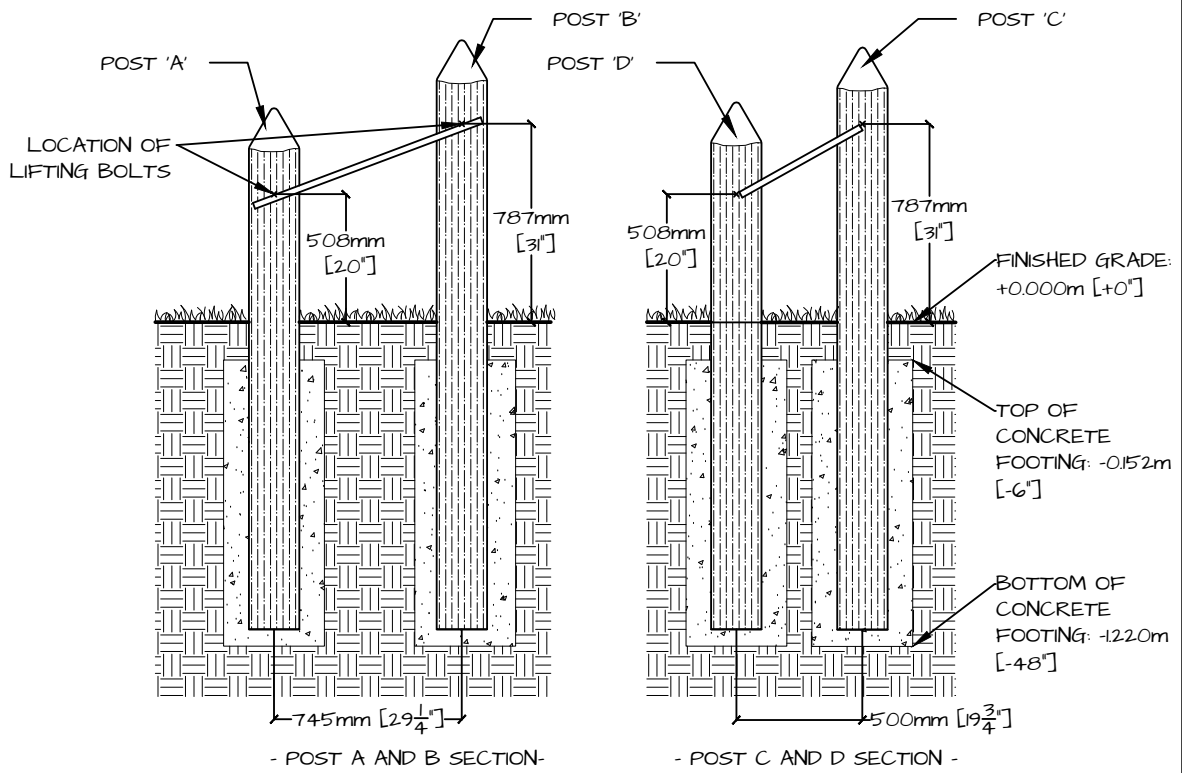
SOARING AMADINDA: POST MOUNT

PRODUCT NUMBER	PAGE	SCALE @ .85x1	DRAWN	CHECKED	PHONE NUMBER
NI-PG-403-06	2 OF 4	NT.S.	SE	SE	1-877-733-7459

STEP 3: POST INSTALLATION

9. DIG POST HOLES 200mm [8"] LARGER THAN THE DIAMETER OF EACH POST.
10. DIG POST HOLES 1220mm [48"] DEEP.
11. POST SHOULD HAVE A MINIMUM OF 100mm [4"] OF CONCRETE ON ALL SIDES.
12. SET POST 'A' AND 'D' SO THE EYE BOLT IS APPROXIMATELY 508mm [20"] ABOVE FINISHED GRADE.
13. SET POST 'B' AND 'C' SO THE EYE BOLT IS APPROXIMATELY 787mm [31"] ABOVE FINISHED GRADE.
14. FOLLOW INSTRUCTIONS ON THE BACK OF THE CONCRETE BAG.

INTENDED USE: AMADINDA IS TO BE USED WITH FEET PLANTED FIRMLY ON THE GROUND.



DETAIL

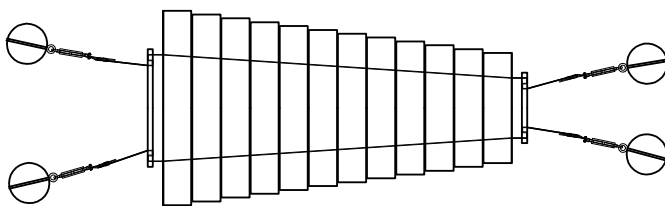
SOARING AMADINDA: POST MOUNT

PRODUCT NUMBER	PAGE	SCALE @ .05x1	DRAWN	CHECKED	PHONE NUMBER
NI-PG-403-06	3 OF 4	NT.S.	SE	SE	1-877-733-7459

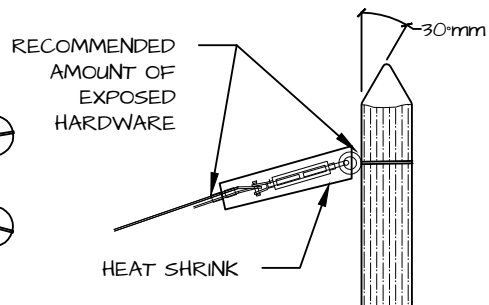
COPYRIGHT © 2016 NATURE'S INSTRUMENTS. DO NOT SCALE DRAWINGS. NOT FOR COMMERCIAL USE OR REPRINT WITHOUT EXPRESSED WRITTEN PERMISSION FROM NATURE'S INSTRUMENTS.

STEP 4: HANGING YOUR SOARING AMADINDA (CAUTION - HEAVY! TWO PEOPLE REQUIRED)

15. FACING THE FRONT SIDE OF THE AMADINDA HOOK THE CABLE LOOPS FROM THE TOP SIDE OF THE KEYS TO POSTS 'B' AND 'C'.
16. HOOK THE LOOPS ON THE AMADINDA TO THE TURNBUCKLE BY LOOSENING THE NUT ON THE TURNBUCKLE REMOVE THE BOLT, SLIDE THE CABLE LOOP INTO THE OPENING AND SLIDE THE BOLT THROUGH THE TURNBUCKLE HOLES, THROUGH THE CABLE LOOP AND THROUGH THE OTHER TURNBUCKLE HOLE AND RE-SECURE THE NUT
17. REPEAT STEPS 15 & 16 FOR THE OTHER TWO CABLES ON POSTS 'A' AND 'D'
18. LOOSEN OR TIGHTEN TURNBUCKLES TO CORRECT MEASUREMENT TO GET THE LONGEST KEY TO BE 228mm [9"] OR GREATER OFF THE FINISHED SURFACE.
 - 18.1. TURNBUCKLES ON LOWER POSTS ('A' AND 'C') TO HAVE 50mm [2"] GAP BETWEEN THREADED RODS.
 - 18.2. TURNBUCKLES ON HIGHER POSTS ('B' AND 'D') TO HAVE 70mm [2 3/4"] GAP BETWEEN THREADED RODS.
19. THE SOARING AMADINDA IS APPROXIMATELY AS TIGHT AS IS REQUIRED WHEN THERE IS NO MORE THAN 228mm [9"] BETWEEN THE LOWEST KEY AND THE GROUND. MEASURE THE DISTANCE FROM THE POLY-COATED AIRCRAFT CABLE TO THE POST SIDE OF THE EYE BOLT.
20. CUT HEAT SHRINK FOR EACH POST 1 1/2" LONGER THAN YOUR MEASUREMENTS. CUT THE EYE BOLT SIDE ON THE SAME ANGLE AS IS MADE BY THE TURNBUCKLE TO THE POST.
21. DISCONNECT THE SOARING AMADINDA ENDS (ONE AT A TIME) TO SLIDE THE HEAT-SHRINK TUBING OVER THE HARDWARE. NOTE: DO NOT CUT THE HEAT-SHRINK TUBING LENGTH-WISE.
22. ROLL HEAT SHRINK BACK BY 1" - 2" ON THE POST END OF THE TURNBUCKLE TO EXPOSE THE BOLT.
23. HANG THE LOOSE TURNBUCKLE BACK ON THE EYE BOLT AND ROLL THE HEAT SHRINK OVER THE EYE BOLT.
24. SLIDE THE HEAT SHRINK UP OR DOWN TO ACCESS THE TURNBUCKLE; THIS WILL BE DIFFICULT, BE PATIENT.
25. TIGHTEN TURNBUCKLE AS PER STEPS 18 & 19.
26. REPEAT STEPS 20 - 25 FOR EACH TURNBUCKLE
27. USING A HEAT GUN (PAINT STRIPPER), GENTLY AND EVENLY HEAT THE HEAT-SHRINK FOR IT TO SHRINK DOWN TIGHT TO THE HARDWARE. (IF IT SMOKES IT'S TOO HOT, DISTRIBUTE HEAT MORE EVENLY).
28. HEAT-SHRINK SHOULD COVER ALL HARDWARE LEAVING EYE BOLT AND THE EYE ON THE SOARING AMADINDA ONLY PARTIALLY EXPOSED WITH LESS THAN 3/8" OF THE HOLE EXPOSED.
29. RESTORE ADJACENT SURFACING TO PRE-CONSTRUCTION CONDITION UNLESS OTHERWISE SPECIFIED.



- PLAN -



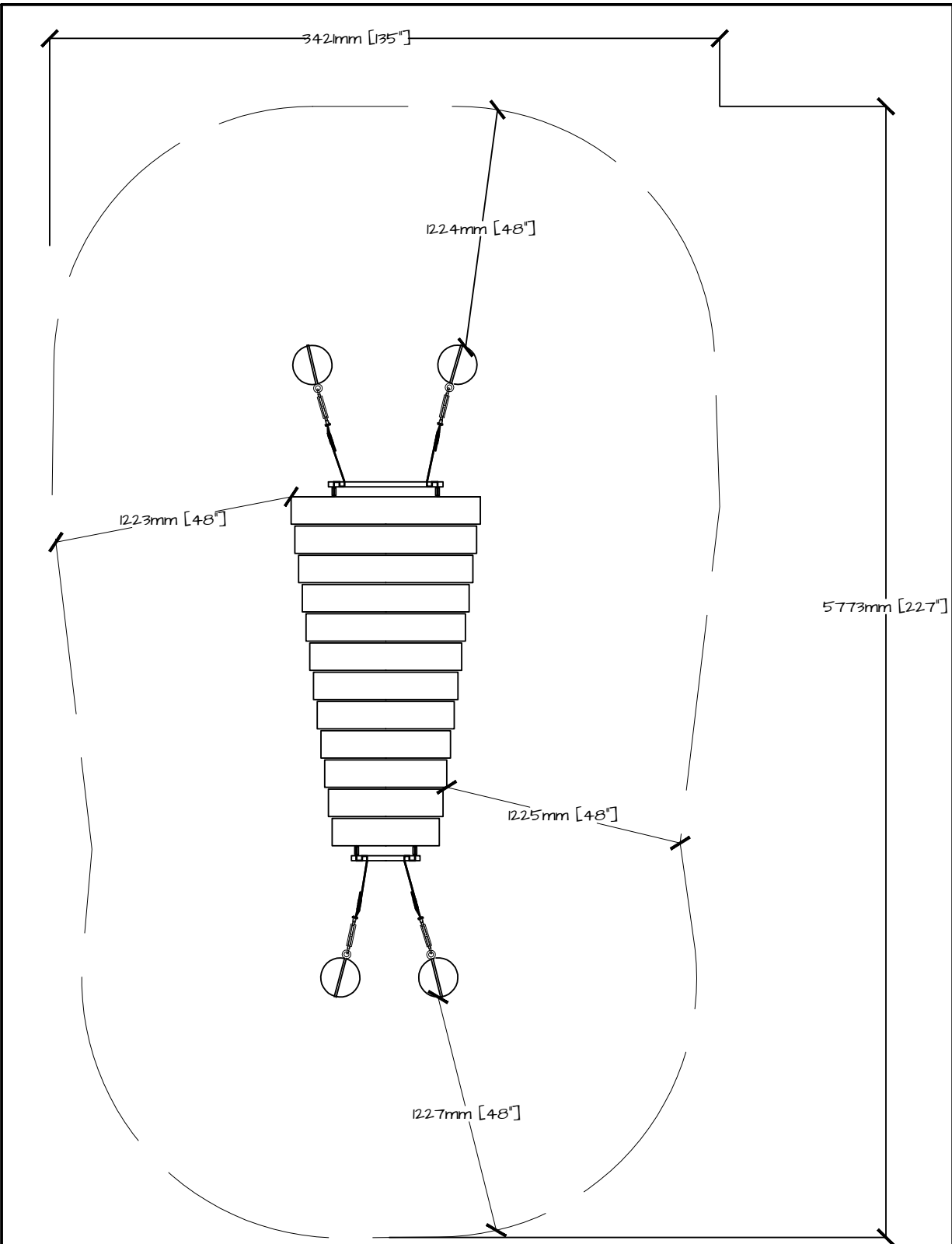
- ATTACHMENT DETAIL -



DETAIL

SOARING AMADINDA: POST MOUNT

PRODUCT NUMBER	PAGE	SCALE @ 015x	DRAWN	CHECKED	PHONE NUMBER
NI-PG-403-06	4 OF 4	N.T.S.	SE	SE	1-877-733-7459



DETAIL

SOARING AMADINDA: POST MOUNT - LAYOUT

PRODUCT NUMBER	PAGE	SCALE @ .05X	DRAWN	CHECKED	PHONE NUMBER
NI-PG-403-06	1 OF 1	N.T.S.	SE	SE	1-877-733-7459