

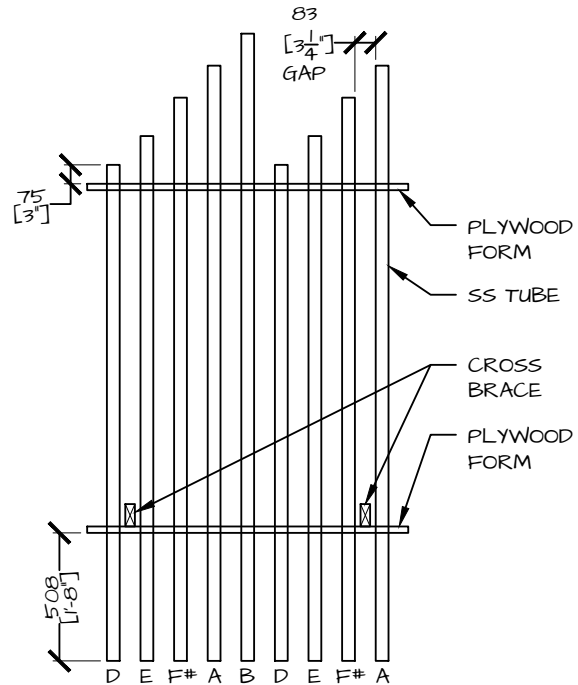
**NOTES**

1. POSITION THE CURVED CHIME FENCE(S) IN ACCORDANCE WITH THE LAYOUT PLAN.
2. DIG A 767mm [2'-7"] DEEP CURVED TRENCH FOR THE DRAINAGE BED.
3. DRAINAGE BED TO BE 254mm [10"] DEPTH OF 3/4" CLEAR GRAVEL WITH A GEOTEXTILE FABRIC SURROUNDING IT ON ALL SIDES TO MAINTAIN MATERIAL INTEGRITY.
4. INSERT THE SS TUBES INTO THE PRE-DRILLED PLYWOOD FORMS.
  - 4.1. ENSURE THE DIFFERENT LENGTHS OF SS TUBE ARE PLACED IN THE SEQUENCE SHOWN.
  - 4.2. ENSURE THE TUBES ARE SPACED EXACTLY 83mm [3 1/4"] APART.
5. FASTEN TWO 2x4 CROSS-BRACES, 2438mm [8'] MIN LENGTH, TO THE TOP OF THE LOWER PLYWOOD FORM.
6. PLACE THE BRACED SS TUBES ON THE DRAINAGE BED.
  - 6.1. BOTH ENDS OF THE CROSS-BRACES MUST REST ON TERRA-FIRMA OUTSIDE THE TRENCH.
  - 6.2. THE SS TUBES MUST BE PLUMB.
7. ADD AN ADDITIONAL 76mm [3"] DEEP LAYER OF CLEAR GRAVEL ON TOP OF THE DRAINAGE BED (AROUND THE BOTTOM OF THE SS TUBES) TO KEEP THE CONCRETE SEPARATED FROM THE BOTTOM OF THE TUBES.
8. CONCRETE FOOTING TO BE 32 MPa WITH A MAXIMUM SLUMP OF 75mm [3"].
9. CONCRETE TO BE REINFORCED WITH CURVED 10M BARS. ALL STEEL REINFORCEMENT MUST BE PLACED AT LEAST 50mm [2"] FROM SOIL AND 75mm FROM SS TUBE WHEREVER POSSIBLE.
10. POUR CONCRETE AROUND THE SS TUBES.
  - 10.1. ENSURE NO CONCRETE ENTERS THE BOTTOM OF THE SS TUBES (WATER MUST BE ABLE TO DRAIN THROUGH).
  - 10.2. CONCRETE MUST REMAIN 150mm [6"] BELOW FINISHED GRADE.

11. REMOVE PLYWOOD FORMS.
12. FOLLOW ADJACENT SURFACING INSTALLATION DETAILS.
13. RESTORE ADJACENT SURFACING TO PRE-CONSTRUCTION CONDITION UNLESS OTHERWISE SPECIFIED.

**INSTALLING MULTIPLE CHIME FENCE SETS CONTINUOUSLY:**

14. POSITION ADJACENT CHIME FENCE SETS SO THE ANGLED EDGE OF THE FORMS BUTT TIGHT TOGETHER.
15. ENSURE THE GAP BETWEEN THE LAST CHIME OF THE FIRST SET AND THE FIRST CHIME OF THE NEXT SET ARE EXACTLY 83mm [3 1/4"] APART.
16. FASTEN ADJACENT PLYWOOD FORMS TOGETHER IF NECESSARY.



- SS TUBE BRACING DETAIL -

**COMPONENTS**

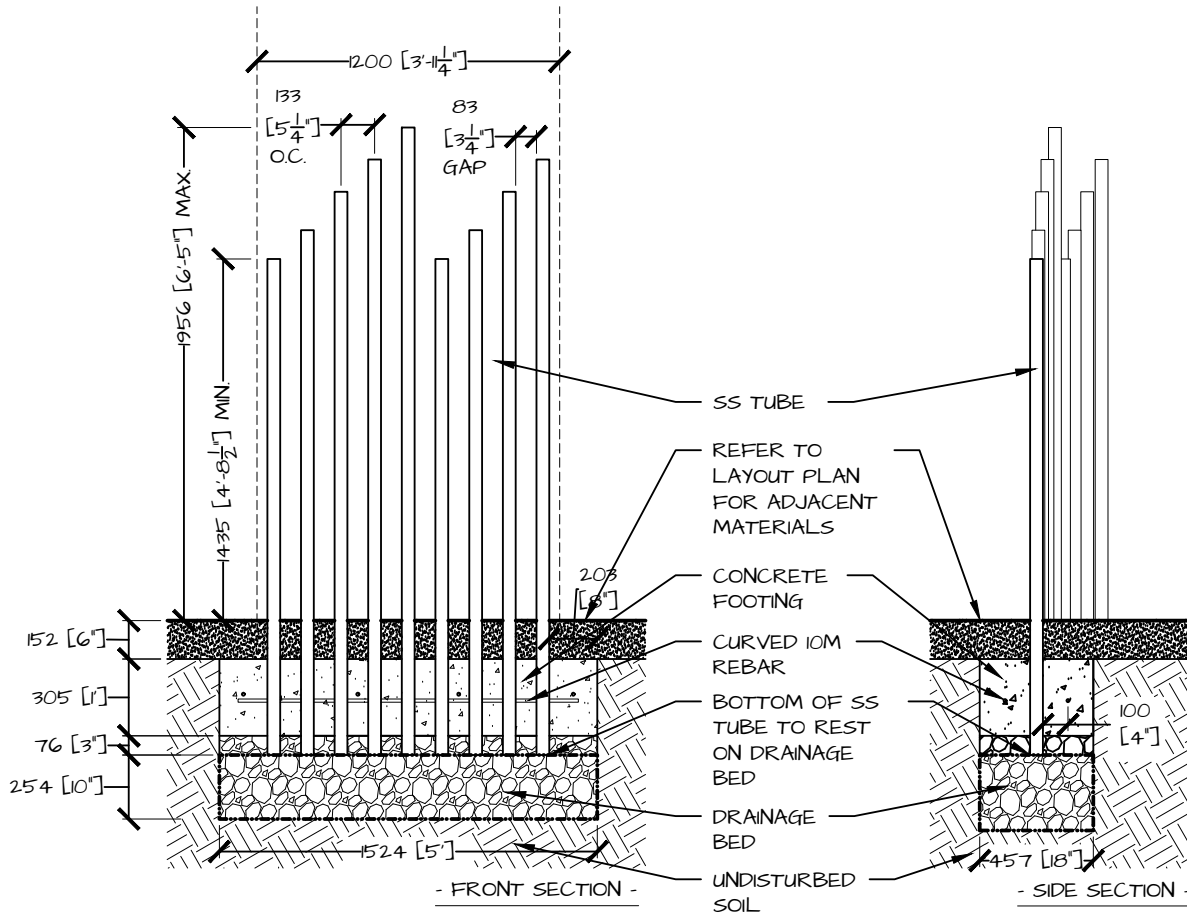
NATURE'S INSTRUMENTS NI-PG-404-01 CHIME FENCE.  
NI PACKAGE INCLUDES:

- 5mm [2"] OD, 0.065 GAUGE, ROLLED STAINLESS STEEL (SS) TUBES, VARIOUS LENGTHS: x 9  
TUBES WILL BE LABELLED AS FOLLOWS:
  - D: x 2
  - E: x 2
  - F#: x 2
  - A: x 2
  - B: x 1
- PLYWOOD FORM: x 2

2x4 CROSS BRACING, FOOTING MATERIALS AND CLEAR GRAVEL ARE NOT SUPPLIED.



DETAIL					
CHIME FENCE: 1200mm [4'-8"] LENGTH					
PRODUCT NUMBER	PAGE	SCALE @ .05X	DRAWN	CHECKED	PHONE NUMBER
NI-PG-404-01	1 OF 3	NT.S.	SE	SE	1-877-733-7459

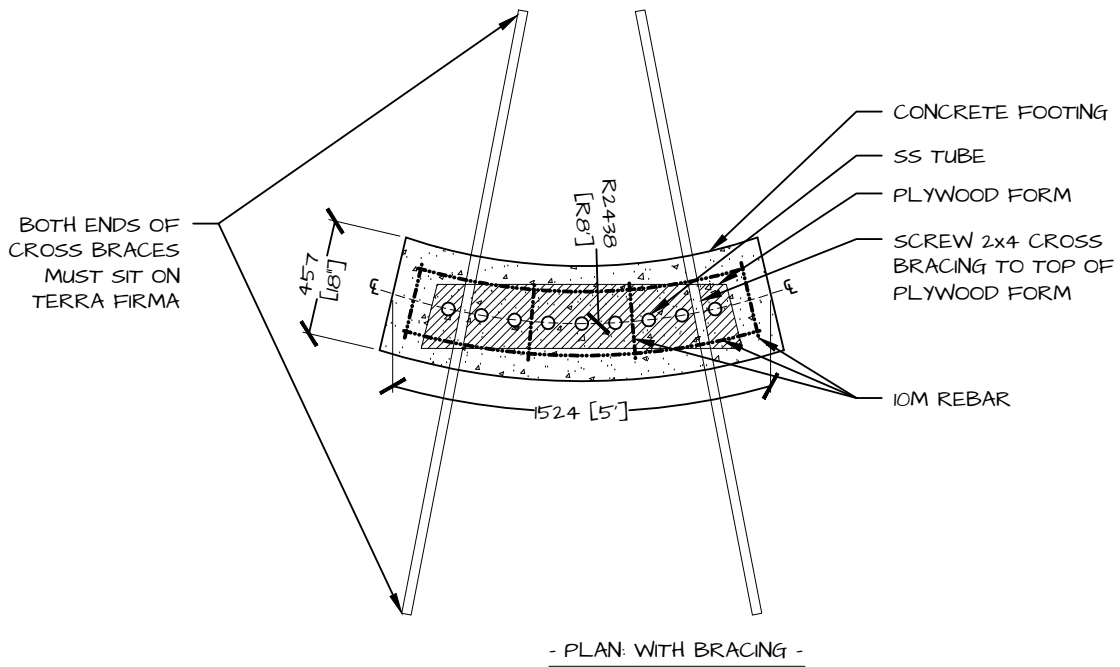
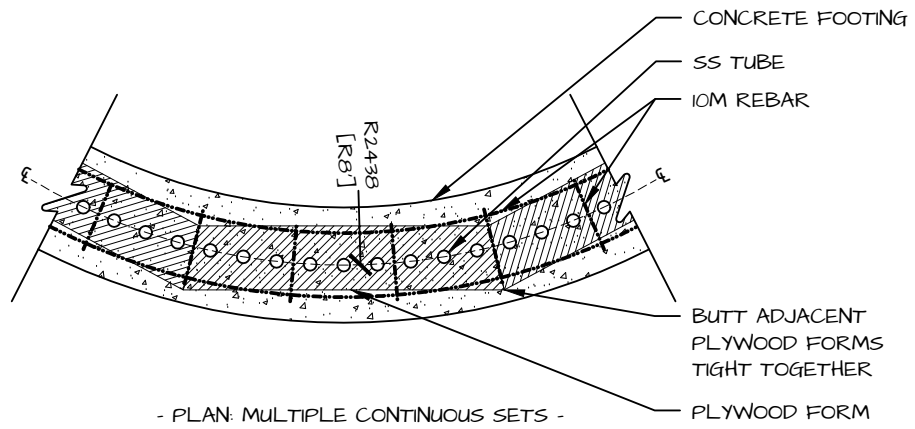


DETAIL

CHIME FENCE: 1200mm [48"] LENGTH

PRODUCT NUMBER	PAGE	SCALE @ 0.5X	DRAWN	CHECKED	PHONE NUMBER
NI-PG-404-01	2 OF 3	NT.S.	SE	SE	1-877-733-7459

COPYRIGHT © 2016 NATURE'S INSTRUMENTS. DO NOT SCALE DRAWINGS. NOT FOR COMMERCIAL USE OR REPRINT WITHOUT EXPRESSED WRITTEN PERMISSION FROM NATURE'S INSTRUMENTS.

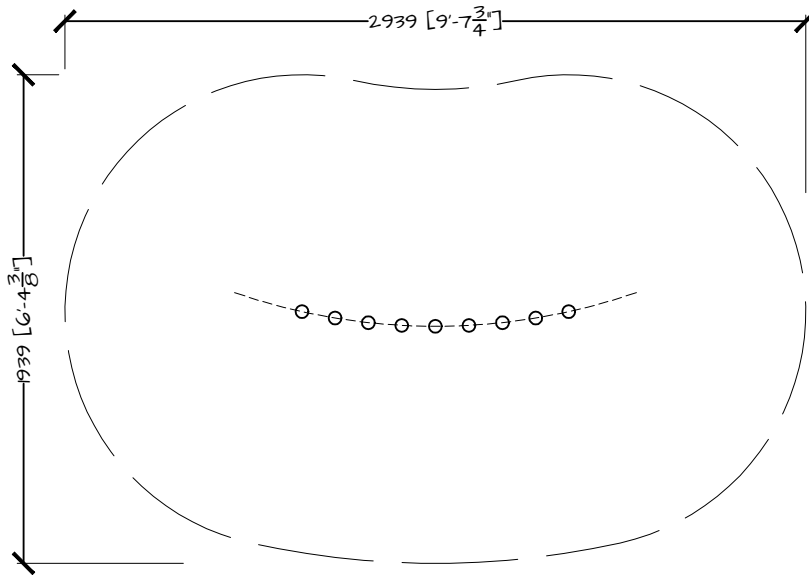


DETAIL

CHIME FENCE: 1200mm [48"] LENGTH

PRODUCT NUMBER	PAGE	SCALE @ .05x1	DRAWN	CHECKED	PHONE NUMBER
NI-PG-404-01	3 OF 3	N.T.S.	SE	SE	1-877-733-7459

COPYRIGHT © 2016 NATURE'S INSTRUMENTS. DO NOT SCALE DRAWINGS. NOT FOR COMMERCIAL USE OR REPRINT WITHOUT EXPRESSED WRITTEN PERMISSION FROM NATURE'S INSTRUMENTS.



DETAIL

CHIME FENCE: 1200mm [48"] LENGTH - LAYOUT

PRODUCT NUMBER	PAGE	SCALE @ 0.5X	DRAWN	CHECKED	PHONE NUMBER
NI-PG-404-01	1 OF 1	N.T.S.	SE	SE	1-877-733-7459

COPYRIGHT © 2016 NATURE'S INSTRUMENTS. DO NOT SCALE DRAWINGS. NOT FOR COMMERCIAL USE OR REPRINT WITHOUT EXPRESSED WRITTEN PERMISSION FROM NATURE'S INSTRUMENTS.