

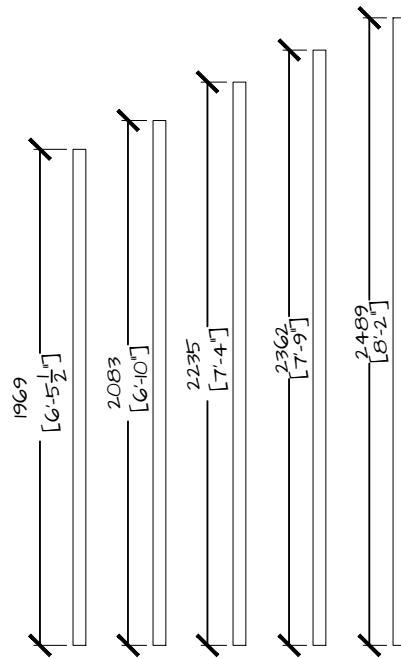
NOTES

1. POSITION THE CURVED CHIME FENCE IN ACCORDANCE WITH THE LAYOUT PLANS.
2. DIG 833mm [33"] DEEP CURVED TRENCH FOR THE CLEAR GRAVEL DRAINAGE BED.
3. INSTALL SIX 150mm [6"] Ø CONCRETE SONOTUBE FOOTINGS WITH 10M REBAR HOOKS:
 - 3.1. TWO SONOTUBE FOOTINGS AT EACH END AND TWO AT THE CENTRE OF THE CHIME FENCE SECTION.
 - 3.2. SONOTUBE FOOTINGS TO EXTEND MIN. 1220mm [4'] BELOW FINISHED GRADE.
 - 3.3. TOP OF SONOTUBE FOOTINGS TO BE 533mm [21"] BELOW FINISHED GRADE.
 - 3.4. REBAR HOOKS TO EXTEND 200mm [8"] ABOVE TOP OF SONOTUBE FOOTING.
4. INSTALL THE CLEAR GRAVEL DRAINAGE BED.
5. PLACE SS TUBES ON TOP OF THE DRAINAGE BED:
 - 5.1. ENSURE THE DIFFERENT SS TUBE LENGTHS ARE PLACED IN THE SEQUENCE SHOWN.
 - 5.2. BRACE SS TUBES UPRIGHT EXACTLY 833mm [3¼"] APART.
6. TIE CURVED 10M REBAR TO THE REBAR HOOKS EXTENDING FROM THE TOP OF THE SONOTUBE FOOTINGS AND TIE THE REBAR HOOKS TO EACH OTHER. ENSURE NO REBAR TOUCHES THE SS TUBES.
7. POUR CONCRETE AROUND THE SS TUBES, ON TOP OF SONOTUBE FOOTINGS AND CLEAR GRAVEL DRAINAGE BED.
 - 7.1. ENSURE NO CONCRETE ENTERS THE BOTTOM OF THE SS TUBES (WATER MUST BE ABLE TO DRAIN THROUGH).
 - 7.2. CONCRETE MUST REMAIN 150mm [6"] BELOW FINISHED GRADE.
8. INSTALL SURFACE MATERIAL AROUND THE CHIME FENCE AS PER LM-300 SURFACES PLAN.

COMPONENTS

ONE SECTION OF NATURE'S INSTRUMENTS NI-PG-404-01 CHIME FENCE INCLUDES 16 50.8mm [2"] OD, 0.065 GAUGE, ROLLED STAINLESS STEEL (SS) TUBES, VARIOUS LENGTHS:

- 1969mm [77½"] SS TUBE (x2)
- 2083mm [82"] SS TUBE (x4)
- 2235mm [88"] SS TUBE (x4)
- 2362mm [93"] SS TUBE (x4)
- 2489mm [98"] SS TUBE (x2)



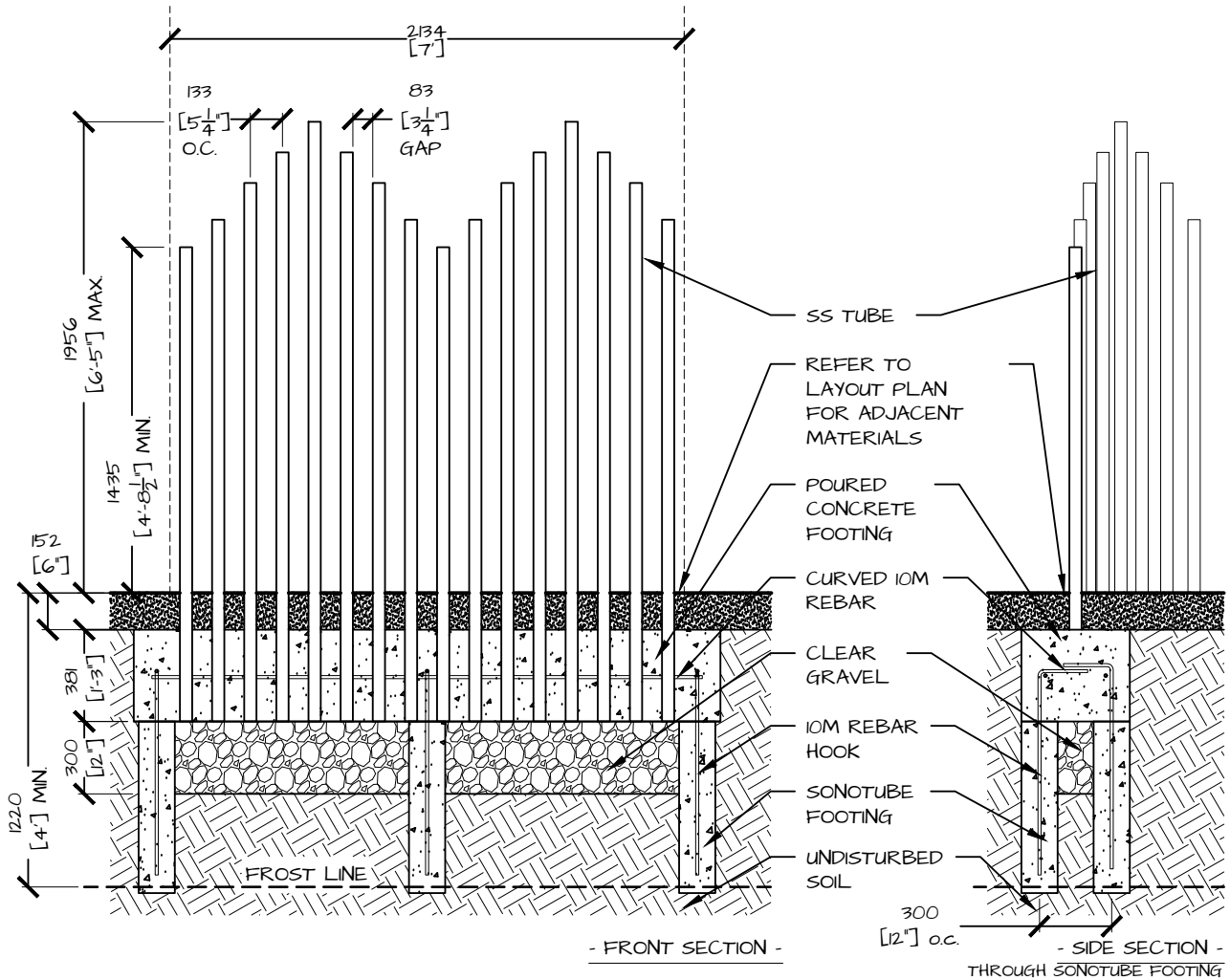
- SS TUBE LENGTHS -



DETAIL

CHIME FENCE: 2134mm [7'] LENGTH

PRODUCT NUMBER	PAGE	SCALE @ 0.5x	DRAWN	CHECKED	PHONE NUMBER
NI-PG-404-02	1 OF 3	N.T.S.	SE	SE	1-877-733-7459

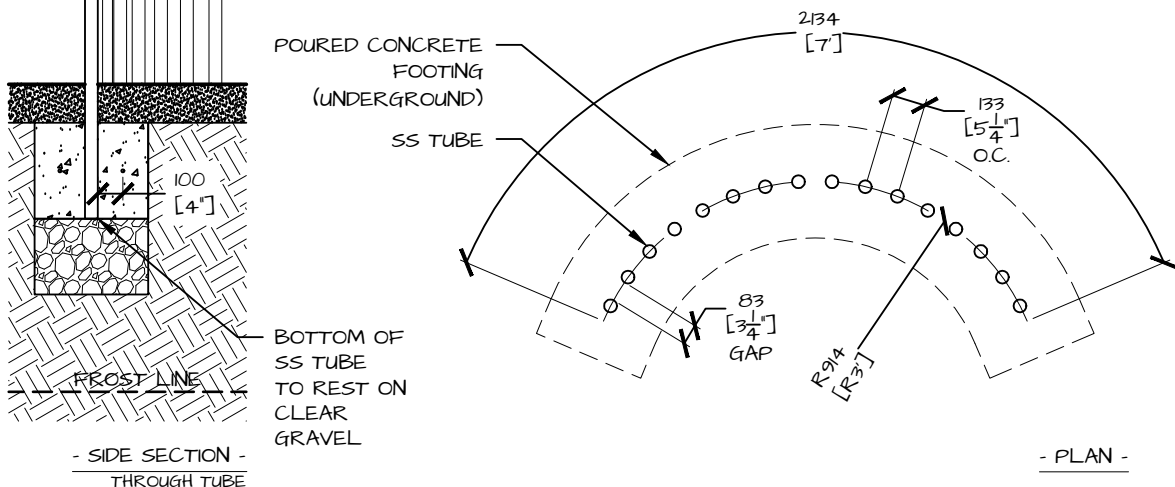
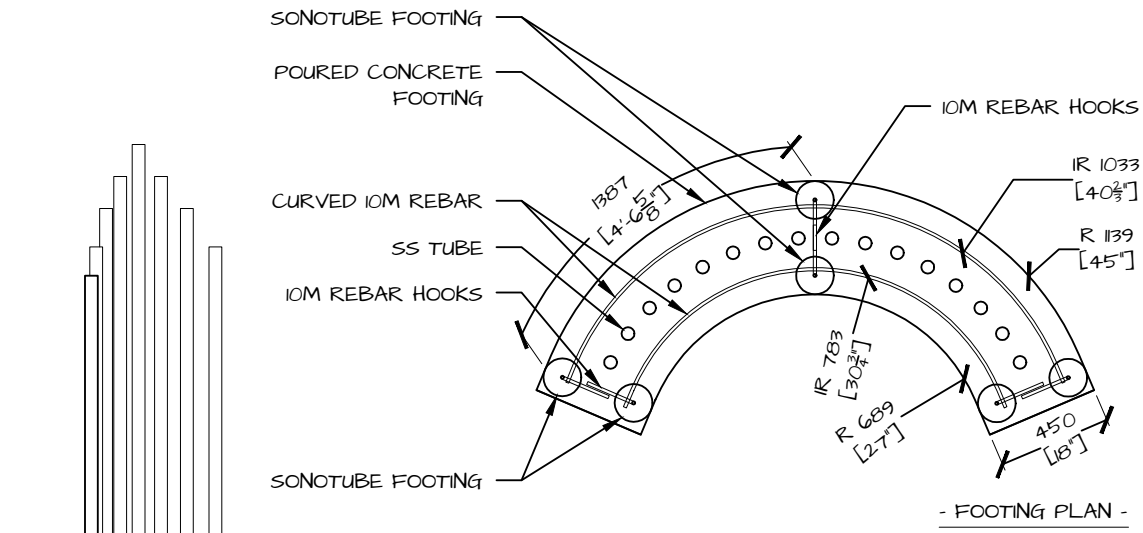


DETAIL

CHIME FENCE: 2134mm [7] LENGTH

PRODUCT NUMBER	PAGE	SCALE @ .85x	DRAWN	CHECKED	PHONE NUMBER
NI-PG-404-02	2 OF 3	NT.S.	SE	SE	1-877-733-7459

COPYRIGHT © 2016 NATURE'S INSTRUMENTS. DO NOT SCALE DRAWINGS. NOT FOR COMMERCIAL USE OR REPRINT WITHOUT EXPRESSED WRITTEN PERMISSION FROM NATURE'S INSTRUMENTS.

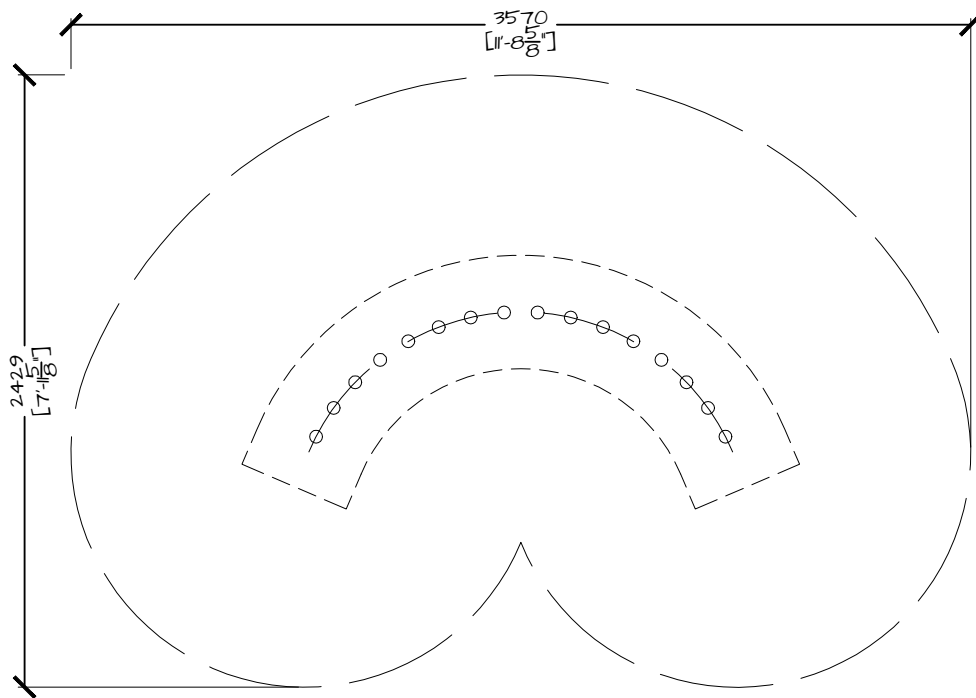


DETAIL

CHIME FENCE: 2134mm [7'] LENGTH

PRODUCT NUMBER	PAGE	SCALE @ 015x	DRAWN	CHECKED	PHONE NUMBER
NI-PG-404-02	3 OF 3	NT.S.	SE	SE	1-877-733-7459

COPYRIGHT © 2016 NATURE'S INSTRUMENTS. DO NOT SCALE DRAWINGS. NOT FOR COMMERCIAL USE OR REPRINT WITHOUT EXPRESSED WRITTEN PERMISSION FROM NATURE'S INSTRUMENTS.



DETAIL

CHIME FENCE: 2134mm [7'] LENGTH - LAYOUT

PRODUCT NUMBER	PAGE	SCALE @ 015x	DRAWN	CHECKED	PHONE NUMBER
NI-PG-404-02	1 OF 1	NT.S.	SE	SE	1-877-733-7459