

COMPONENTS

NATURE'S INSTRUMENTS NI-PG-602-04 LOG STEPPING ROUND 450mm [18"] TALL X 450mm [18"] DIAMETER.

- 450mm [18"] Ø x 450mm [18"] TALL LOG WITH PRE-ATTACHED MOUNTING CLEAT: x 1

SONOTUBES AND OTHER FOOTING MATERIALS ARE NOT INCLUDED.

NOTES

- LAYOUT AS PER CONSULTANT'S DRAWINGS.
- STEPPING ROUNDS TO BE SPACED GIVEN THE FOLLOWING CONSTRAINTS:
 - SPACING MUST NOT BE LESS THAN 228mm [9"] OR GREATER THAN 450mm [18"]
 - SPACING SHOULD NOT CREATE A DEFINITE PATTERN
 - SPACING SHOULD BE IRREGULAR FOLLOWING THE CONSTRAINTS ABOVE

SOLID MATERIAL FINISHED SURFACE

- FOOTING TO BE A CONTINUOUS POUR
- CONCRETE TO BE 32MPA
- EXCAVATE 300mm [12"] WIDE TRENCH, EXCAVATION TO BE PRECISE WITH CRISP EDGES
- CONTRACTOR TO USE NATURAL EARTH FORM
- ELEVATION OF TOP OF FOOTING TO BE 25mm [1"] FROM FINISHED SURFACE
- FOOTING TO HAVE A 12mm [$\frac{1}{2}$ "] CHAMFER ON OUTSIDE EDGES
- CONTRACTOR TO POUR CONCRETE AND SET EACH STEPPING ROUND INTO WET CONCRETE
- SUSPEND STEPPING ROUNDS WITH BRACING WHEN/WHERE NECESSARY
- BOTTOM OF STEPPING ROUND TO BE FLUSH WITH FINISHED SURFACE

LOOSE FILL MATERIAL FINISHED SURFACE

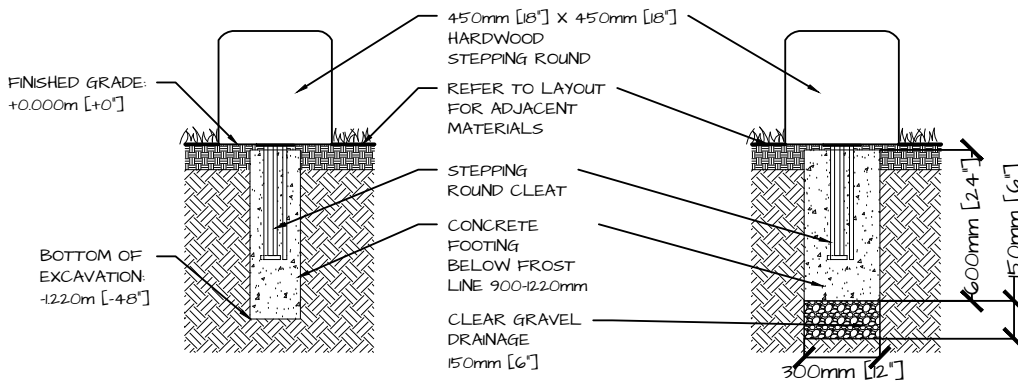
- FOOTINGS TO BE 8" SONOTUBES FILLED WITH CONCRETE (32MPA)
- HOLES FOR SONOTUBES TO BE TIGHT TO PREVENT MOVEMENT
- HOLES TO BE BELOW FROST LINE 900-1220mm [36"-48"]

INSTALLATION UP OR DOWN A SLOPE

- IF STEPPING ROUNDS ARE GOING UP OR DOWN A HILL, ORIENT THE STEPPING ROUND SO THAT THE DOUBLE PRONG SIDE OF THE CLEAT IS ON THE DOWN SIDE OF THE SLOPE
- ON A SLOPE, THE SIDE OF THE STEPPING ROUND GOING UP THE HILL SHOULD BE FLUSH WITH FINISHED SURFACE, THE SIDE OF THE ROUND GOING DOWN THE HILL MAY BE SUSPENDED ABOVE THE FINISHED SURFACE KEEPING THE STEPPING ROUND LEVEL

FINAL GRADING

- GRADING AROUND THE STEPPING ROUNDS SHOULD BE FLUSH WITH THE BOTTOM OF THE STEPPING ROUND
- WHERE THE STEPPING ROUND IS ELEVATED ABOVE THE 'PROPOSED ELEVATION', GRADE IS TO BE CONTOURED TO MEET THE EDGES OF EACH STEPPING ROUND
- FINISHED SURFACE SHOULD BE COMPACTED TO PREVENT SETTLING AROUND EACH STEPPING ROUND

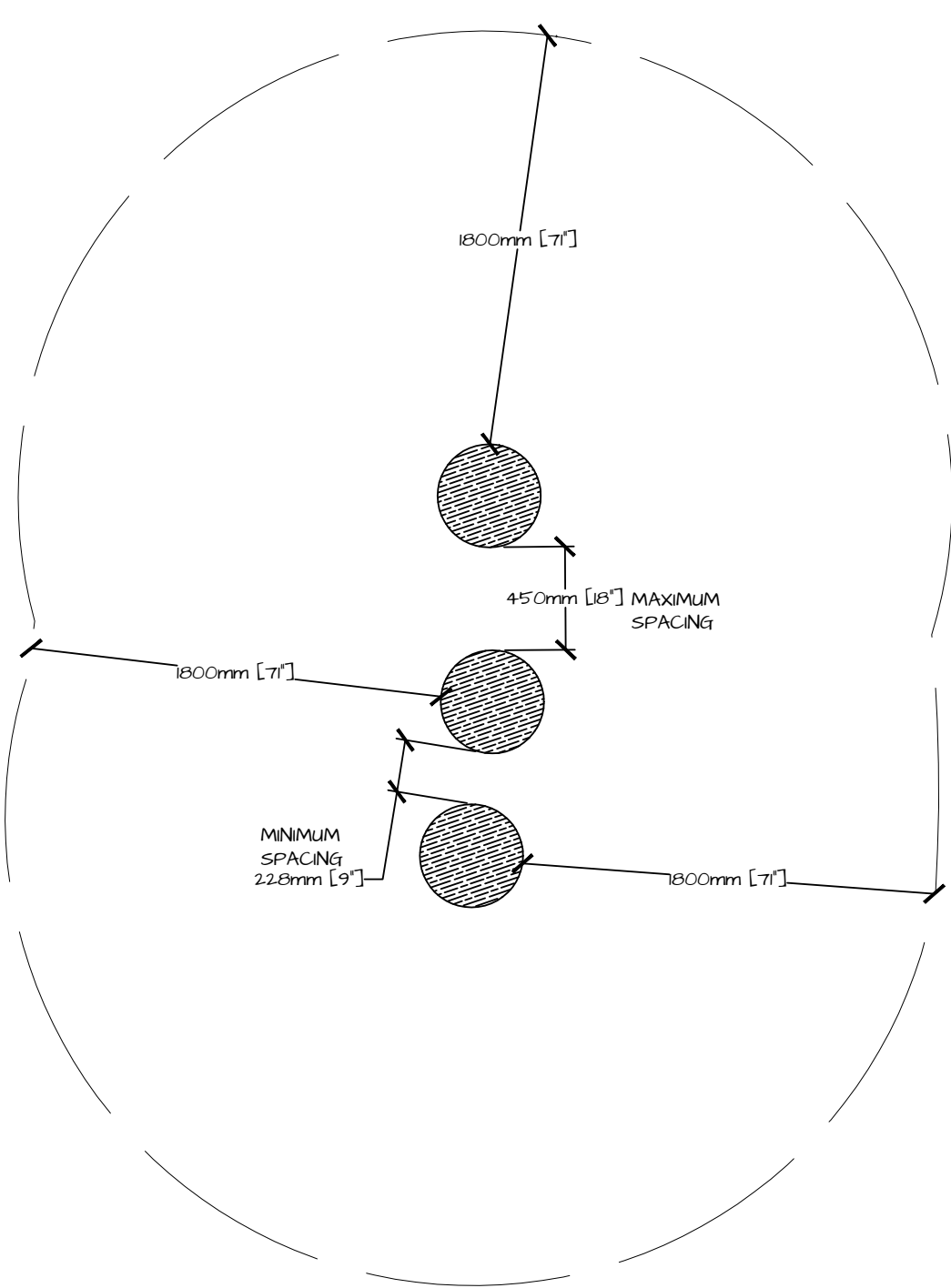


SONOTUBE FOOTING
[LOOSE FILL FINISHED SURFACE]

CONTINUOUS POUR FOOTING
[SOLID MATERIAL FINISHED SURFACE]



DETAIL						
450mm [18"] Ø x 450mm [18"] ht. LOG STEPPING ROUND						
PRODUCT NUMBER	PAGE	SCALE @ .05X	DRAWN	CHECKED	PHONE NUMBER	
NI-PG-602-04	1 OF 1	N.T.S.	RI	SE	1-877-733-7459	



DETAIL					
450mm [18"] \varnothing x 450mm [18"] ht. LOG STEPPING ROUND - LAYOUT					
PRODUCT NUMBER	PAGE	SCALE @ 0.5x	DRAWN	CHECKED	PHONE NUMBER
NI-PG-602-04	1 OF 1	N.T.S.	RI	SE	1-877-733-7459