

COMPONENTS

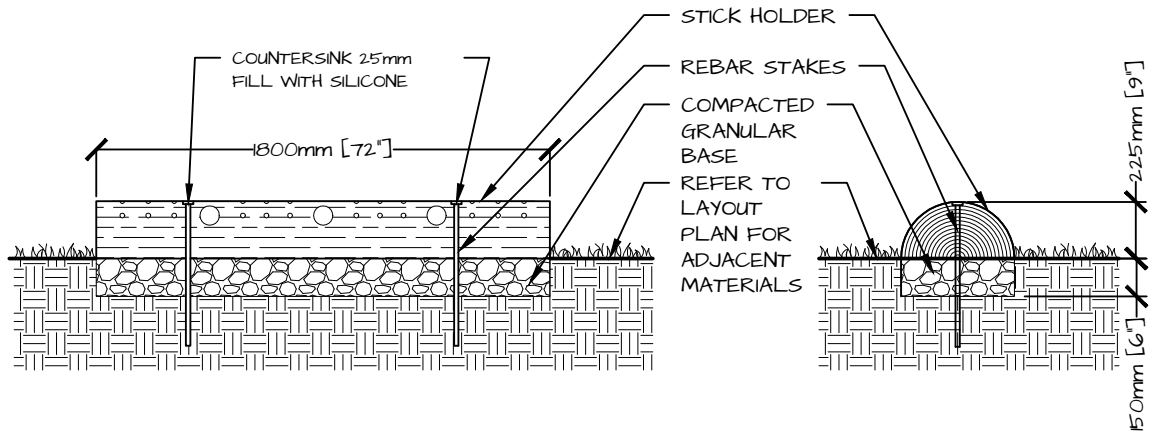
NATURE'S INSTRUMENTS NI-PG-608-01 HARDWOOD STICK HOLDER. NI PACKAGE INCLUDES:-

- NATURAL HARDWOOD LOG: x 1
- STANDARD SIZE PAINT CUP HOLDERS: x 6
- REBAR STAKE: x 2

GRANULAR BASE COURSE MATERIALS AND SILICONE ARE NOT SUPPLIED.

NOTES

1. STICK HOLDER MUST RETAIN A MINIMUM DISTANCE OF 1220mm [48"] FROM ADJACENT OBSTACLES, OTHER COMPONENTS, AND PATHWAYS.
2. FOR PERMANENT AND NOT MOVEABLE INSTALLATION:
3. STICK HOLDER SHOULD BE INSTALLED ON TOP OF FINISHED GRADE.
4. INSTALLED ON 150mm [6"] OF CLEAR OR COMPACTED GRANULAR BASE.
5. GEOTEXTILE BARRIER IS UNNECESSARY.
6. REBAR STAKES ARE TO BE INSTALLED ON THE ENDS.
7. DRILL A 1/2" HOLE THROUGH THE STICK HOLDER 300mm [12"] FROM THE ENDS.
8. INSTALL 600mm [24"] REBAR STAKES
9. COUNTERSINK STAKES 1/2" AND FILL HOLES WITH LIGHT BROWN EXTERIOR COMMERCIAL GRADE SILICONE
10. FOR NON-PERMANENT INSTALLATION:
11. LAY STICK HOLDER ON FINISHED SURFACE. ENSURE LOG DOES NOT WOBBLE OR ROCK.

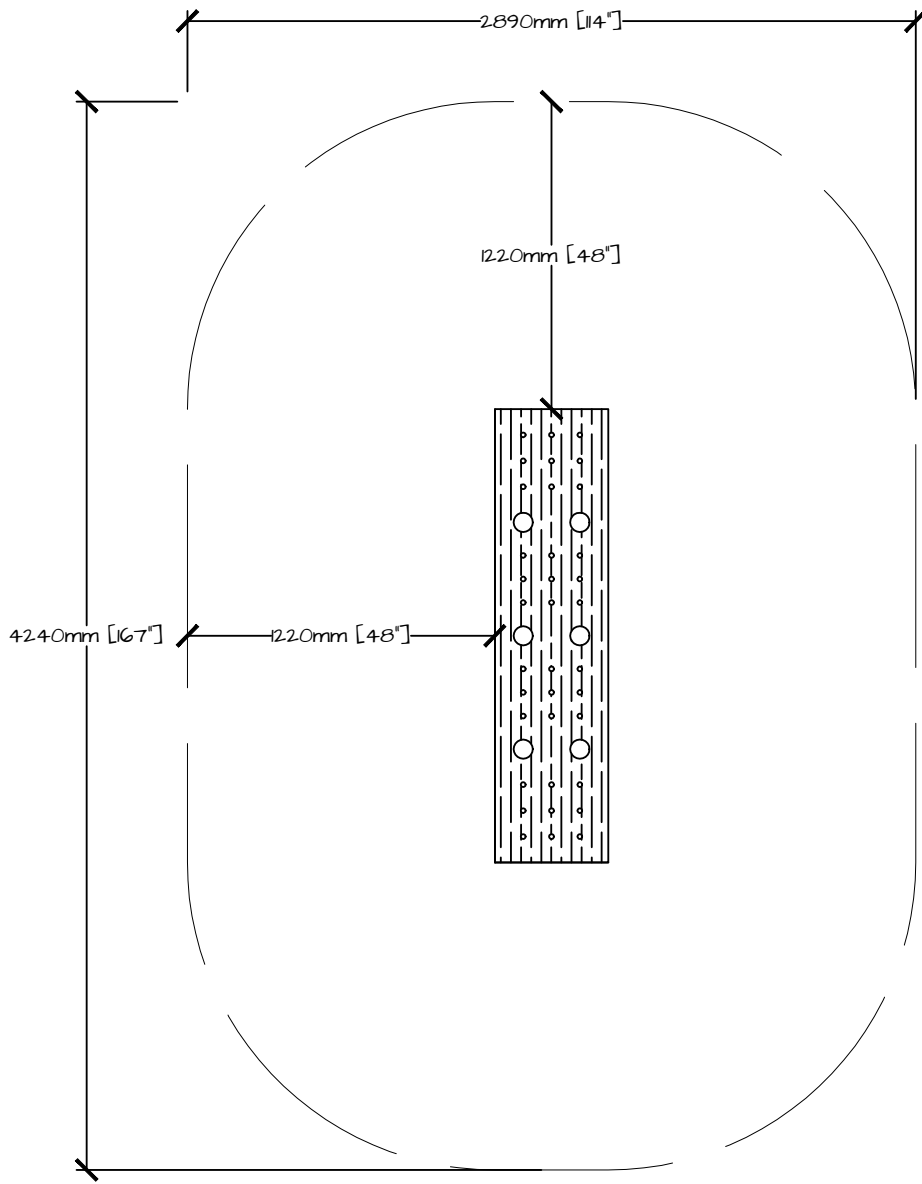


DETAIL

HARDWOOD STICK HOLDER

PRODUCT NUMBER	PAGE	SCALE @ 0.5X	DRAWN	CHECKED	PHONE NUMBER
NI-PG-608-01	1 OF 1	NT.S.	RI	SE	1-877-733-7459

COPYRIGHT © 2016 NATURE'S INSTRUMENTS. DO NOT SCALE DRAWINGS. NOT FOR COMMERCIAL USE OR REPRINT WITHOUT EXPRESSED WRITTEN PERMISSION FROM NATURE'S INSTRUMENTS.



DETAIL  
**HARDWOOD STICK HOLDER - LAYOUT**

PRODUCT NUMBER	PAGE	SCALE @ .05X	DRAWN	CHECKED	PHONE NUMBER
NI-PG-608-01	1 OF 1	N.T.S.	RI	SE	1-877-733-7459

COPYRIGHT © 2016 NATURE'S INSTRUMENTS. DO NOT SCALE DRAWINGS. NOT FOR COMMERCIAL USE OR REPRINT WITHOUT EXPRESSED WRITTEN PERMISSION FROM NATURE'S INSTRUMENTS.