

STUMP TABLE PUBLIC USE [VARIOUS HEIGHTS]

PRODUCT NUMBER
NI-PG-701-05

LAYOUT PLAN

PAGE 1 OF 1	SCALE @ 8.5x11 1:25	DRAWN RC	CHECKED PR	PHONE NUMBER: 1-877-733-7456
----------------	------------------------	-------------	---------------	---------------------------------

COMPONENTS

NATURE'S INSTRUMENTS NI-PG-701-05 STUMP TABLE FOR PUBLIC USE. NI PACKAGE INCLUDES:-

- HARDWOOD STUMP TABLE: x 1
- WITH PRE-ATTACHED CLEATS
- EXPANSION BOLT: x 6

GRAVEL, CONCRETE AND STEEL REINFORCEMENT ARE NOT SUPPLIED.

NOTES

1. NATURE'S INSTRUMENTS STUMP ACTIVITY TABLES ARE AVAILABLE IN A NUMBER OF HEIGHTS SUITABLE FOR DIFFERENT AGE-GROUPS AND USES. UPON ORDERING, PLEASE SPECIFY THE PRODUCT YOU REQUIRE.
 - 1a. NI-PG-701-05.01 = 405mm [16"] HT. ABOVE GRADE TO BE USED BY TODDLER-AGED CHILDREN WITH OUTDOOR SEATING (SEATS SOLD SEPARATELY).
 - 1b. NI-PG-701-05.02 = 457mm [18"] HT. ABOVE GRADE TO BE USED BY PRESCHOOL-AGED CHILDREN WITH OUTDOOR SEATING (SEATS SOLD SEPARATELY) OR TODDLER-AGE CHILDREN STANDING.
 - 1c. NI-PG-701-05.03 = 508mm [20"] HT. ABOVE GRADE TO BE USED KINDERGARTEN-AGED CHILDREN WITH OUTDOOR SEATING (SEATS SOLD SEPARATELY) OR PRESCHOOL-AGE CHILDREN STANDING.
 - 1d. NI-PG-701-05.04 = 609mm [24"] HT. ABOVE GRADE TO BE USED KINDERGARTEN-AGED CHILDREN STANDING.
2. PLACE TABLE TO ALLOW FOR CIRCULATION, WITH THE EXCEPTION OF SEATING FOR THE TABLE, IT IS RECOMMENDED THAT AT LEAST 1219mm [48"] CLEAR SPACE BE ALLOCATED AROUND ALL SIDES OF THE TABLE.

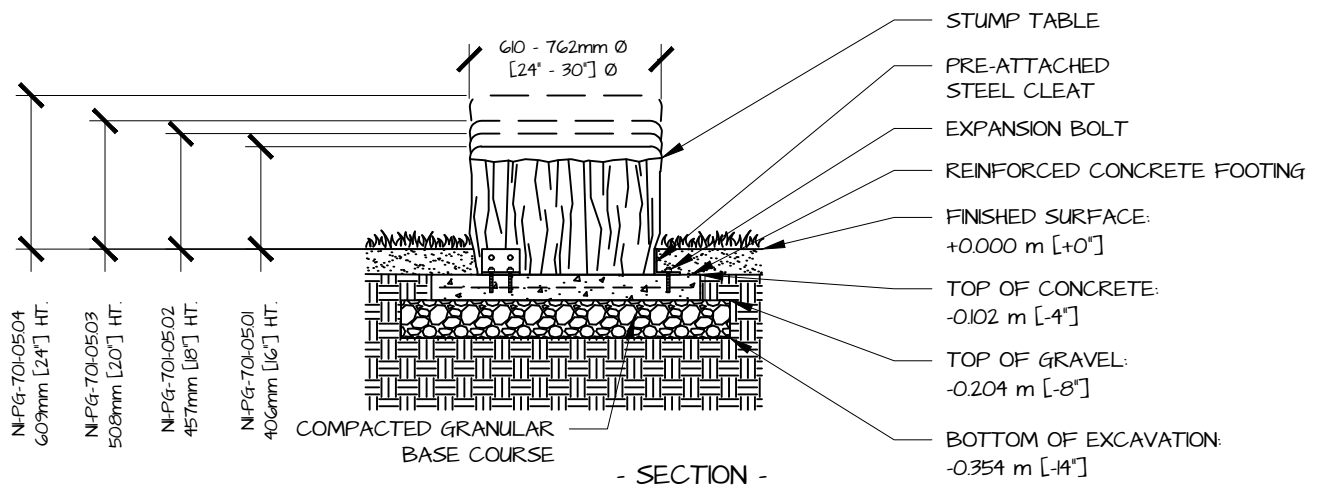
FOOTINGS:

3. GRANULAR BASE COURSE TO BE 152mm [6"] MIN. DEPTH OF CRUSHED GRAVEL (OR 19mm [3/4"] CLEAR GRAVEL) COMPACTED TO 95% S.P.P.D.
- 3c. BASE COURSE FOR CONCRETE PADS TO EXTEND 102mm [4"] BEYOND ALL SIDES OF THE PAD.

4. CONCRETE PADS TO BE 102mm [4"] THICK AND TO BE 152mm [6"] LARGER THAN THE STUMP TABLE.
 - 4a. CONCRETE FOOTINGS TO BE NON-VISIBLE; ENSURE TOP OF FOOTING IS 102mm [4"] BELOW FINISHED GRADE OF SURROUNDING SURFACES.
 - 4b. 152mm [6"] x 152mm [6"] WIRE MESH -W4.0xW4.0 TO BE INSTALLED AND SUSPENDED IN THE CONCRETE PAD.
 - 4c. CONCRETE TO SET FOR AT LEAST 24HRS BEFORE INSTALLING TABLE.

TABLE INSTALLATION:

5. CENTRE THE TABLE ON THE PREPARED CONCRETE PAD.
6. INSTALL SUPPLIED EXPANSION BOLTS THROUGH THE PRE-DRILLED CLEAT HOLES:
 - 6a. DRILL 9.5mm [3/8"] Ø HOLE TO 76mm [3"] DEPTH IN THE CONCRETE. CLEAN OUT THE HOLE.
 - 6b. ASSEMBLE SUPPLIED ANCHOR WITH NUT & WASHER SO THAT THE TOP OF THE NUT IS FLUSH WITH THE TOP OF THE BOLT. DRIVE THE ANCHOR INTO THE PRE-DRILLED HOLE UNTIL THE WASHER IS TIGHT AGAINST THE CLEAT.
7. EXPAND ANCHOR BY TIGHTENING NUT 3 TO 5 TURNS.
8. FOLLOW ADJACENT SURFACING INSTALLATION DETAILS. RESTORE ADJACENT SURFACING TO PRE-CONSTRUCTION CONDITION IF SPECIFIED TO REMAIN UNDISTURBED.
9. IF INSTALLED ON A GRASS SURFACE, IT IS RECOMMENDED THAT DUROLAWN MATS (NOT SUPPLIED) BE INSTALLED AROUND THE TABLE TO ELIMINATE WEAR PATTERNS. GO TO www.durolawn.com FOR MORE INFORMATION.



STUMP TABLE PUBLIC USE [VARIOUS HEIGHTS]

PRODUCT NUMBER
NI-PG-701-05

INSTALL DRAWING

PAGE	SCALE @ 85x11	DRAWN	CHECKED	PHONE NUMBER:
1 OF 1	1:30	RC	PR	1-877-733-7456

COMPONENTS

NATURE'S INSTRUMENTS NI-PG-701-05 STUMP TABLE FOR PUBLIC USE. NI PACKAGE INCLUDES:-

- HARDWOOD STUMP TABLE: x 1
- WITH PRE-ATTACHED CLEATS x 6
- EXPANSION BOLT: x 6

GRAVEL, CONCRETE AND STEEL REINFORCEMENT ARE NOT SUPPLIED.

NOTES

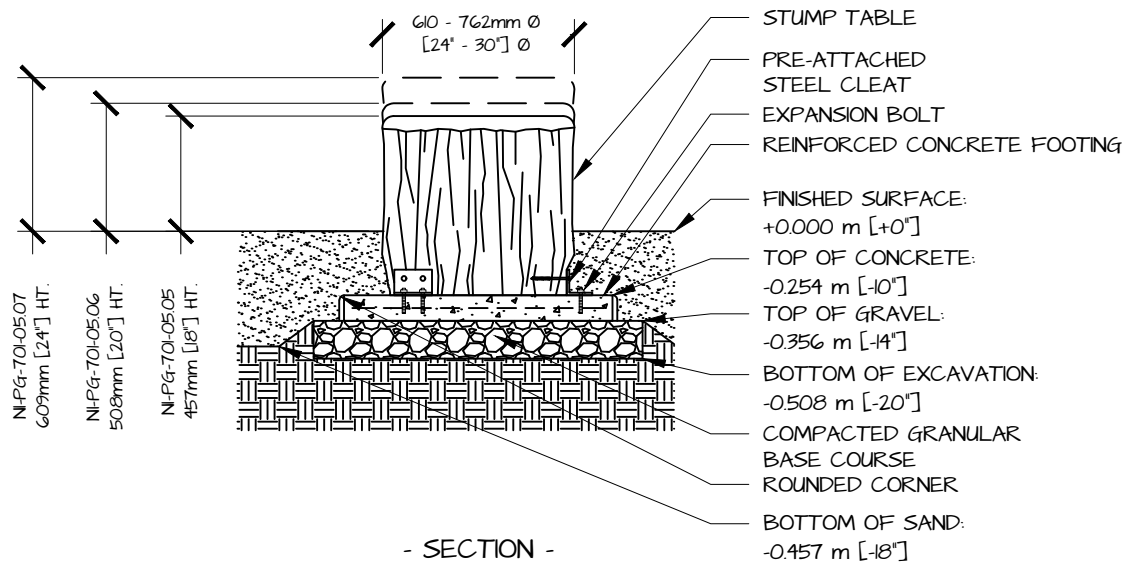
1. NATURE'S INSTRUMENTS STUMP ACTIVITY TABLES ARE AVAILABLE IN A NUMBER OF HEIGHTS SUITABLE FOR DIFFERENT AGE-GROUPS AND USES. UPON ORDERING, PLEASE SPECIFY THE PRODUCT YOU REQUIRE:
 - 1a. NI-PG-701-0505 = 457mm [18"] HT. ABOVE GRADE TO BE USED BY TODDLER-AGED CHILDREN.
 - 1b. NI-PG-701-0506 = 508mm [20"] HT. ABOVE GRADE TO BE USED BY PRESCHOOL-AGED CHILDREN.
 - 1c. NI-PG-701-0507 = 610mm [24"] HT. ABOVE GRADE TO BE USED BY KINDERGARTEN-AGED CHILDREN.
2. PLACE TABLE TO ALLOW FOR CIRCULATION; IT IS RECOMMENDED THAT AT LEAST 1219mm [48"] CLEAR SPACE BE ALLOCATED AROUND ALL SIDES OF THE TABLE.
3. STUMP TABLE TO BE INSTALLED WITHIN SAND SURFACING WITH MIN. 457mm [18"] DEPTH.
5. CONCRETE PADS TO BE 102mm [4"] THICK AND TO BE 152mm [6"] LARGER THAN THE STUMP TABLE.
 - 5a. CONCRETE FOOTINGS TO BE NON-VISIBLE, ENSURE TOP OF FOOTING IS 102mm [10"] BELOW FINISHED GRADE OF SAND SURFACE.
 - 5b. 152mm [6"] x 152mm [6"] WIRE MESH -W4.0xW4.0 TO BE INSTALLED AND SUSPENDED IN THE CONCRETE PAD.
 - 5c. CONCRETE TO SET FOR AT LEAST 24HRS BEFORE INSTALLING TABLE.
 - 5d. TOP EDGES OF CONCRETE PAD TO HAVE MIN 25mm [1"] CHAMFER.

TABLE INSTALLATION:

6. PLACE GEOTEXTILE FOR SAND DRAINAGE BED OVER THE CONCRETE.
7. CENTRE THE TABLE ON THE PREPARED CONCRETE PAD.
8. DRILL 9.5mm [3/8"] Ø HOLE TO 76mm [3"] DEPTH IN THE CONCRETE.
9. INSTALL SUPPLIED EXPANSION BOLTS THROUGH THE PRE-DRILLED CLEAT HOLES
10. FOLLOW ADJACENT SURFACING INSTALLATION DETAILS. RESTORE ADJACENT SURFACING TO PRE-CONSTRUCTION CONDITION IF SPECIFIED TO REMAIN UNDISTURBED.

FOOTINGS:

4. GRANULAR BASE COURSE TO BE 152mm [6"] MIN. DEPTH OF CRUSHED GRAVEL (OR 19mm 3/4" CLEAR GRAVEL) COMPACTED TO 98% S.P.P.D.
- 4a. BASE COURSE FOR CONCRETE PADS TO EXTEND 102mm [4"] BEYOND ALL SIDES OF THE PAD.



STUMP TABLE IN SAND [VARIOUS HEIGHTS]

PRODUCT NUMBER
NI-PG-701-05

INSTALL DRAWING

PAGE	SCALE @ 85x11	DRAWN	CHECKED	PHONE NUMBER:
1 OF 1	1:30	RC	PR	1-877-733-7456