

COMPONENTS

NATURE'S INSTRUMENTS NI-PG-603-01 FALLEN LOG.

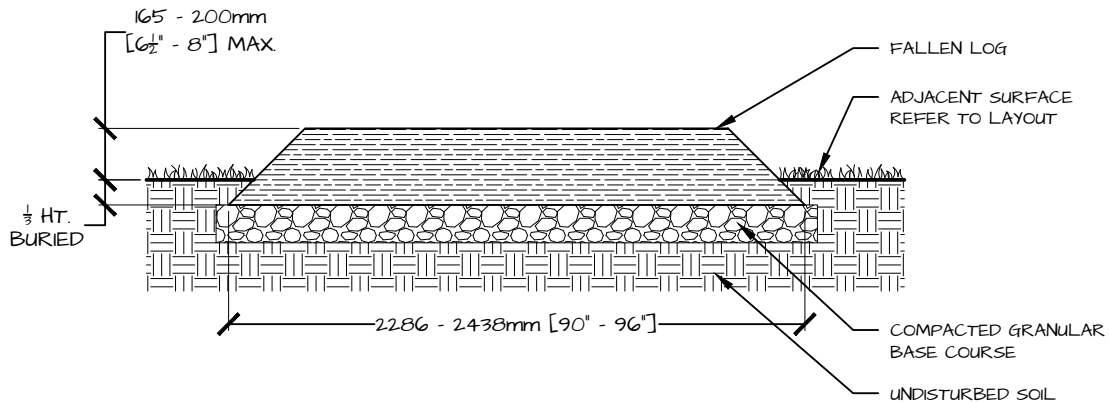
NI PACKAGE INCLUDES:

- 250 - 300mm [10" - 12"] Ø x 2286 - 2438mm [90" - 96"] LENGTH SOFTWOOD LOG WITH ANGLE-CUT ENDS x 1

GRANULAR BASE COURSE IS NOT SUPPLIED.

NOTES

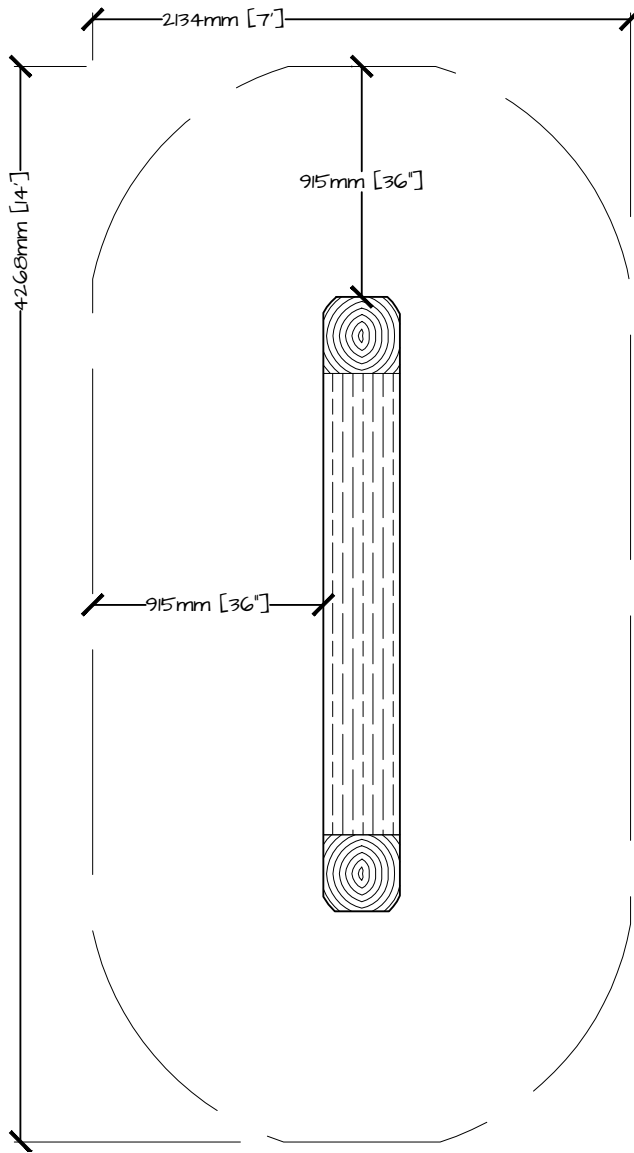
- NATURE'S INSTRUMENTS FALLEN LOGS ARE A NATURAL PRODUCT, THEREFORE EACH LOG IS UNIQUE AND THE DIAMETER AND LENGTH WILL VARY.
  - UPON ORDERING, PLEASE NOTIFY NATURE'S INSTRUMENTS IF YOUR PROJECT REQUIRES A SPECIFIC LOG DIAMETER AND/OR LENGTH.
- FALLEN LOG MUST BE PLACED AT LEAST 915mm [36"] AWAY FROM ADJACENT OBSTACLES, OTHER COMPONENTS AND PATHWAYS, 1220mm [48"] CLEARANCE IS PREFERRED.
- POSITION LOG ACCORDING TO THE LAYOUT PLAN.
- SET INTO FINISHED GRADE:
  - LOGS MUST BE PLACED SO THAT A MINIMUM OF 1/3 THE LOG'S HEIGHT IS BURIED BELOW FINISHED GRADE OF THE LOWEST SURROUNDING SURFACE.
- GRANULAR BASE COURSE TO BE 150mm [6"] MIN. DEPTH OF CRUSHED GRAVEL (OR 3/4" CLEAR GRAVEL) COMPACTED TO 98% S.P.D.D.
  - IF EXISTING SOIL CONDITIONS ARE FREE DRAINING, LOG MAY BE INSTALLED ON THE EXISTING SUBGRADE.
- FOLLOW ADJACENT SURFACING INSTALLATION DETAILS. RESTORE ADJACENT SURFACING TO PRE-CONSTRUCTION CONDITION UNLESS OTHERWISE SPECIFIED.



DETAIL

300mm [12"] Ø SOFTWOOD FALLEN LOG

PRODUCT NUMBER	PAGE	SCALE @ .05X	DRAWN	CHECKED	PHONE NUMBER
NI-PG-603-01	1 OF 1	NT.S.	RI	SE	1-877-733-7459



DETAIL

300mm [12"] Ø SOFTWOOD FALLEN LOG - LAYOUT

PRODUCT NUMBER	PAGE	SCALE @ 0.5X	DRAWN	CHECKED	PHONE NUMBER
NI-PG-603-01	1 OF 1	NT.S.	RI	SE	1-877-733-7459

COPYRIGHT © 2016 NATURE'S INSTRUMENTS. DO NOT SCALE DRAWINGS. NOT FOR COMMERCIAL USE OR REPRINT WITHOUT EXPRESSED WRITTEN PERMISSION FROM NATURE'S INSTRUMENTS.