

COMPONENTS

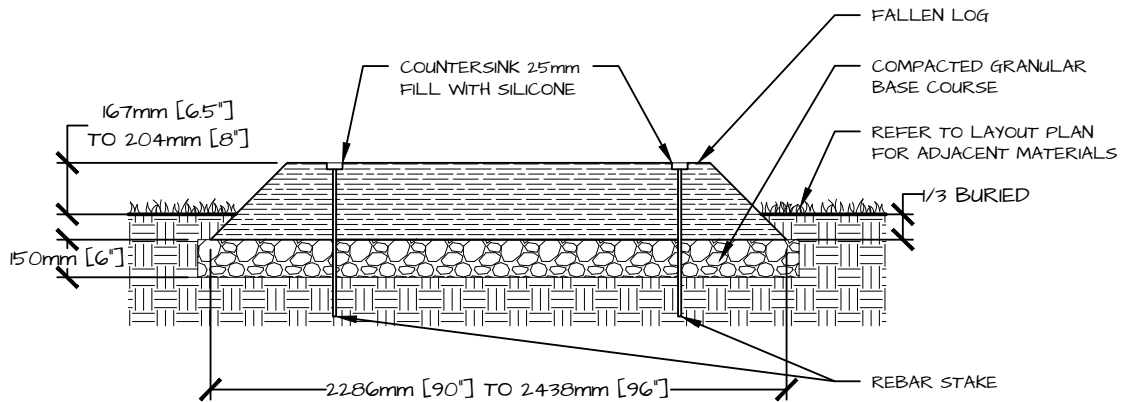
NATURE'S INSTRUMENTS NI-PG-603-04 HARDWOOD FALLEN LOG - PUBLIC USE. NI PACKAGE INCLUDES:-

- 250-300mm [10-12"] Ø X 2286-2438mm [90-96"] LENGTH NATURAL LOG WITH ANGLE-CUT ENDS: X 1
- REBAR STAKES: X 2

GRANULAR BASE COURSE MATERIAL AND SILICONE ARE NOT SUPPLIED.

NOTES

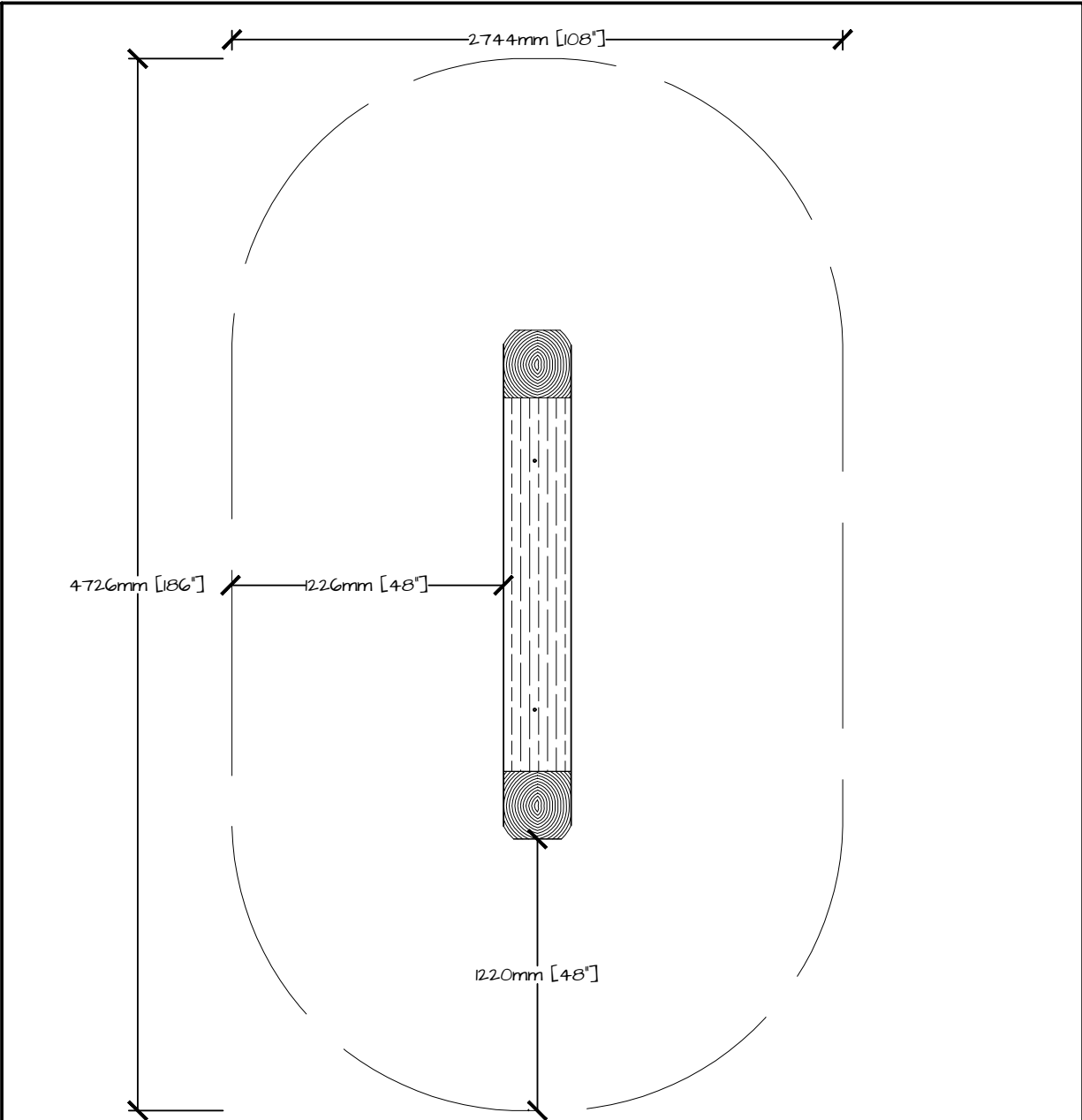
- NATURE'S INSTRUMENTS FALLEN LOGS ARE A NATURAL PRODUCT, THEREFORE EACH LOG IS UNIQUE AND THE DIAMETER AND LENGTH WILL VARY.
 - UPON ORDERING, PLEASE NOTIFY NATURE'S INSTRUMENTS IF YOUR PROJECT REQUIRES A SPECIFIC LOG DIAMETER AND/OR LENGTH.
- FALLEN LOG MUST BE PLACED AT LEAST 915mm [36"] AWAY FROM ADJACENT OBSTACLES, OTHER COMPONENTS AND PATHWAYS; 1220mm [48"] CLEARANCE IS PREFERRED.
- POSITION LOG ACCORDING TO THE LAYOUT PLAN.
- SET INTO FINISHED GRADE.
 - LOGS MUST BE PLACED SO THAT A MINIMUM OF 1/3 THE LOG'S HEIGHT IS BURIED BELOW FINISHED GRADE OF THE LOWEST SURROUNDING SURFACE.
- GRANULAR BASE COURSE TO BE 150mm [6"] MIN DEPTH OF CRUSHED GRAVEL (OR 3/4" CLEAR GRAVEL) COMPACTED TO 98% SP.D.D.
 - IF EXISTING SOIL CONDITIONS ARE FREE DRAINING, LOG MAY BE INSTALLED ON THE EXISTING SUBGRADE.
- FOLLOW ADJACENT SURFACING INSTALLATION DETAILS. RESTORE ADJACENT SURFACING TO PRE-CONSTRUCTION CONDITION UNLESS OTHERWISE SPECIFIED.
- INSERT REBAR INTO THE PRE-DRILLED HOLES AND STRIKE THROUGH UNTIL THE REBAR IS FLUSH WITH THE COUNTERSINK. FILL COUNTERSUNK HOLE WITH SILICONE.



DETAIL

300mm [12"] Ø HARDWOOD FALLEN LOG: PUBLIC USE

PRODUCT NUMBER	PAGE	SCALE @ 0.5X	DRAWN	CHECKED	PHONE NUMBER
NI-PG-603-04	1 OF 1	NT.S.	RI	SE	1-877-733-7459



DETAIL

300mm [12"]Ø HARDWOOD FALLEN LOG: PUBLIC USE - LAYOUT

PRODUCT NUMBER	PAGE	SCALE @ 0.5x	DRAWN	CHECKED	PHONE NUMBER
NI-PG-603-04	1 OF 1	NT.S.	RI	SE	1-877-733-7459

COPYRIGHT © 2016 NATURE'S INSTRUMENTS. DO NOT SCALE DRAWINGS. NOT FOR COMMERCIAL USE OR REPRINT WITHOUT EXPRESSED WRITTEN PERMISSION FROM NATURE'S INSTRUMENTS.