

COMPONENTS

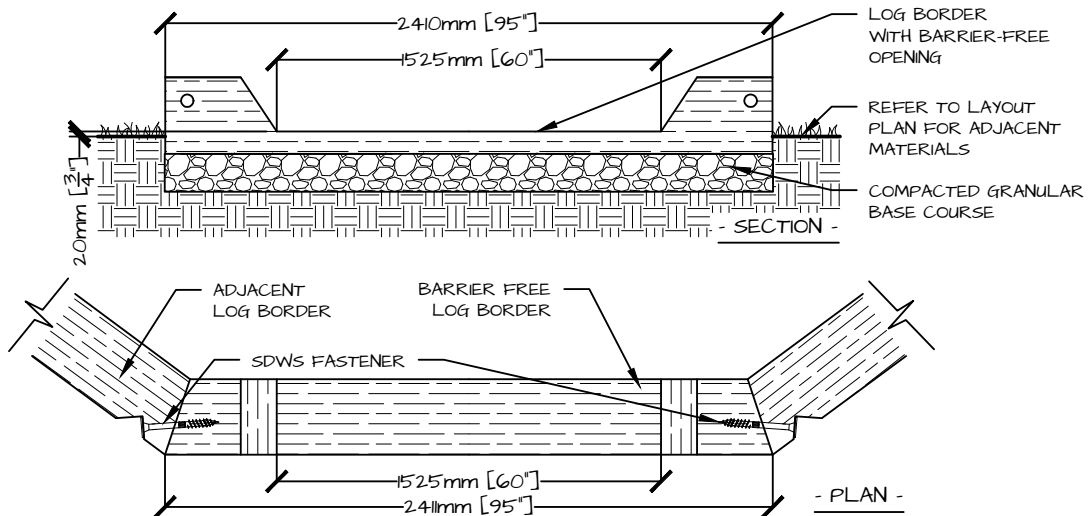
NATURE'S INSTRUMENTS NI-PG-605-06 300mm [12"] X 1525mm [60"] BARRIER FREE HARDWOOD LOG BORDER SECTION.
 NI PACKAGE INCLUDES:

- LOG BORDER ACCORDING TO SUPPLIED LAYOUT
- ANGLES ARE APPROXIMATE
- SDWS FASTENERS INCLUDED
- BARRIER FREE SECTION PRE-CUT AND SANDED

GRANULAR BASE COURSE, GEOTEXTILE AND ADJACENT LOG BORDERS ARE NOT SUPPLIED.

NOTES

1. TO BUILD THE LOG BORDER WITH THE CORRECT ANGLE ON THE MITRED CORNERS, A LAYOUT PLAN MUST BE SUPPLIED TO NATURE'S INSTRUMENTS WHEN PLACING THE ORDER.
2. POSITION BARRIER-FREE LOG BORDER ACCORDING TO THE LAYOUT PLAN.
3. BORDER LOGS SHOULD REMAIN 3/4" EXPOSED ABOVE FINISHED GRADE.
4. BARRIER-FREE OPENING TO BE 20mm [3/4"] ABOVE ADJACENT FINISHED SURFACE.
5. IF BORDER LOGS ARE USED TO RETAIN A LOOSE FILL MATERIAL GEOTEXTILE IS TO BE INSTALLED UNDER THE BORDER LOG AND CONTINUE UNDER THE LOOSE FILL MATERIAL TO PREVENT ACCESS TO THE BORDER BASE OR THE TERRA-FIRMA UNDER THE LOG BORDER.
- 5.1. FILTER FABRIC TO BE NILEX 4535 NON-WOVEN GEO-TEXTILE, OR APPROVED EQUAL.
6. LOG BORDER MAY BE INSTALLED DIRECTLY ON TERRA-FIRMA, IF THE GROUND IS A FREE-DRAINING MATERIAL.
7. GRANULAR BASE COURSE TO BE 150mm [6"] MIN. DEPTH OF CRUSHED GRAVEL (OR 3/4" CLEAR GRAVEL) COMPACTED TO 98% S.P.D.D.
8. POSITION LOGS ACCORDING TO THE LETTER LABELING (MATCH LETTERS).
5. LINE UP MITERED JOINTS. MITERS ARE TO HAVE A GAP NO LARGER THAN 15mm [1/2"]
6. FASTEN MITERS TOGETHER WITH SUPPLIED SDWS STRUCTURAL SCREWS IN PRE-DRILLED, COUNTERSUNK HOLES



DETAIL						
300mm [12"] dia X 1525mm [60"] BARRIER-FREE HARDWOOD LOG BORDER						
PRODUCT NUMBER	PAGE	SCALE @ .05X1	DRAWN	CHECKED	PHONE NUMBER	
NI-PG-605-06	1 OF 1	N.T.S.	RI	SE	1-877-733-7459	

BLOCK INSTRUCTIONS:

- THE BLOCK IS 1800MM [72"] WHICH CORRESPONDS TO THE MINIMUM REQUIRED LENGTH OF THE BARRIER FREE LOG TO ALLOW FOR A 915MM [36"] BARRIER FREE SECTION CAPABLE OF BEING MITERED.

LAYOUT INSTRUCTIONS:

- ON LAYOUT ADD LINES TO INDICATE MITER LOCATION
- THE ANGLE OF MITERS MAY VARY
- ON LAYOUT INDICATE ANGLES AND LENGTHS OF EACH LOG
- PROVIDE NATURE'S INSTRUMENTS WITH AN AUTOCAD FILE OF THE BORDER LAYOUT OR AN ACCURATE HAND DRAWING. NATURE'S INSTRUMENTS WILL PRE-ASSEMBLE AND PRE-MITER ALL LOGS ACCORDING TO THE DRAWING AND SHIP WITH EACH LOG LABELED FOR EASY INSTALLATION ON SITE.



DETAIL

300mm [12"] X 1525mm [60"] BARRIER FREE HARDWOOD LOG BORDER - LAYOUT

PRODUCT NUMBER	PAGE	SCALE @ 0.5X	DRAWN	CHECKED	PHONE NUMBER
NI-PG-605-06	1 OF 1	NT.S.	RI	SE	1-877-733-7459

COPYRIGHT © 2016 NATURE'S INSTRUMENTS. DO NOT SCALE DRAWINGS. NOT FOR COMMERCIAL USE OR REPRINT WITHOUT EXPRESSED WRITTEN PERMISSION FROM NATURE'S INSTRUMENTS.