

COMPONENTS

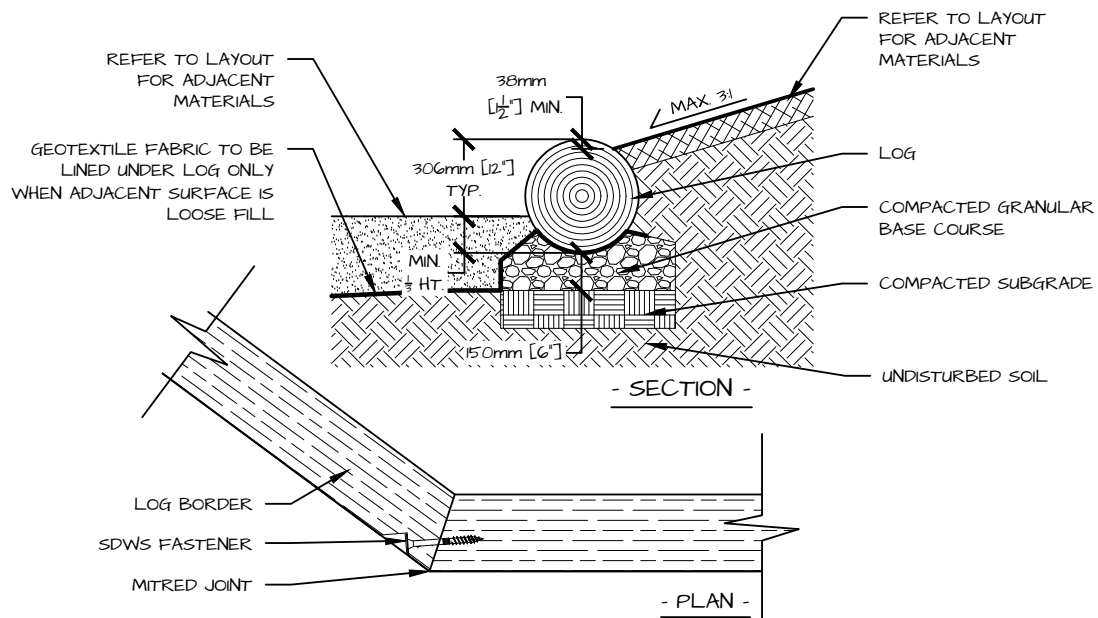
NATURE'S INSTRUMENTS NI-PG-605-07 HORIZONTAL 450mm [18"] Ø HARDWOOD LOG BORDER. NI PACKAGE INCLUDES-

- PRE-MITRED HARDWOOD LOGS, LABELED SO THE MITRED JOINTS CAN BE MATCHED. ORDER PER LINEAR FOOT.
- S.D.W.S. FASTENERS: x 2 PER LOG

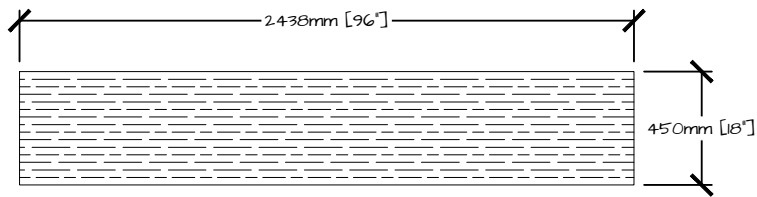
GRANULAR BASE COURSE AND FILTER FABRIC ARE NOT SUPPLIED.

NOTES

1. TO BUILD THE HORIZONTAL LOG BORDER WITH THE CORRECT ANGLE ON THE MITRED CORNERS, A LAYOUT PLAN MUST BE SUPPLIED TO NATURE'S INSTRUMENTS WHEN PLACING THE ORDER.
2. POSITION BORDER ACCORDING TO THE LAYOUT PLAN.
3. SET INTO FINISHED GRADE:
  - 3.1 LOGS MUST BE PLACED SO THAT A MINIMUM OF 1/3 THE LOG'S HEIGHT IS BURIED BELOW FINISHED GRADE OF THE LOWEST SURROUNDING SURFACE.
4. IF BORDER LOGS ARE USED TO RETAIN A LOOSE FILL MATERIAL, FILTER FABRIC IS TO BE INSTALLED UNDER THE BORDER LOG AND CONTINUE UNDER THE LOOSE FILL MATERIAL TO PREVENT ACCESS TO THE BORDER BASE OR THE TERRA-FIRMA UNDER THE LOG BORDER.
  - 4.1 FILTER FABRIC TO BE NILEX 4535 NON-WOVEN GEO-TEXTILE, OR APPROVED EQUAL.
5. GRANULAR BASE COURSE TO BE 150mm [6"] MIN. DEPTH OF CRUSHED GRAVEL (OR 3/4" CLEAR GRAVEL) COMPACTED TO 98% SPDD.
6. LINE UP MITERED JOINTS MATCHING THE LABELS ON EACH LOG. MITERS ARE TO HAVE A GAP NO LARGER THAN 15mm [1/2"].
7. FASTEN MITRES TOGETHER WITH SDWS STRUCTURAL SCREWS IN PRE-DRILLED, COUNTERSUNK HOLES.



DETAIL						
450mm [18"] Ø HARDWOOD LOG BORDER						
PRODUCT NUMBER	PAGE	SCALE @ .05X	DRAWN	CHECKED	PHONE NUMBER	
NI-PG-605-07	1 OF 1	N.T.S.	RI	SE	1-877-733-7459	



DETAIL

450mm [18"] Ø HARDWOOD LOG BORDER - LAYOUT

PRODUCT NUMBER	PAGE	SCALE @ 0.5X	DRAWN	CHECKED	PHONE NUMBER
NI-PG-605-07	1 OF 1	N.T.S.	RI	SE	1-877-733-7459

COPYRIGHT © 2016 NATURE'S INSTRUMENTS. DO NOT SCALE DRAWINGS. NOT FOR COMMERCIAL USE OR REPRINT WITHOUT EXPRESSED WRITTEN PERMISSION FROM NATURE'S INSTRUMENTS.