

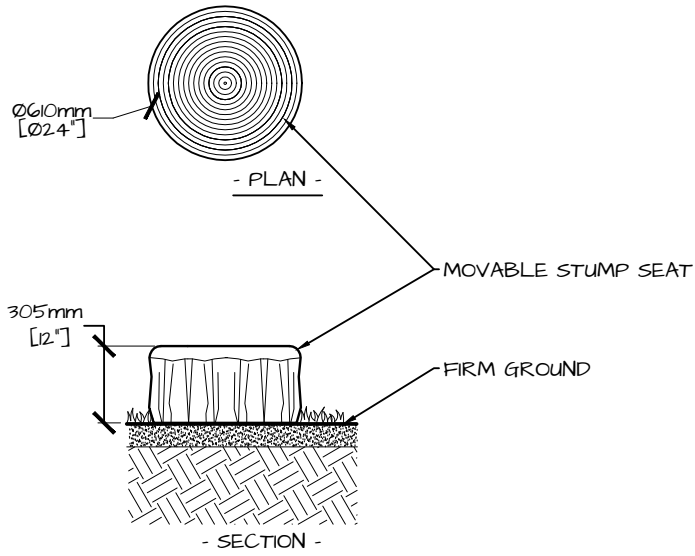
COMPONENTS

NATURE'S INSTRUMENT'S NI-PG-702-02 610mm [24"] Ø X 305mm [12"] HT. STUMP SEAT. NI PACKAGE INCLUDES:-

- HARDWOOD LOG STUMP SEAT

INSTALLATION

1. PLACE THE STUMP SEAT ON A FIRM, STABLE SURFACE.
2. STUMP SEAT IS MOVABLE.
3. STUMP SEAT IS TO BE USED AS SEATING.
4. FOLLOW ADJACENT SURFACING INSTALLATION DETAILS.
5. RESTORE ADJACENT SURFACING TO PRE-CONSTRUCTION CONDITION IF SPECIFIED TO REMAIN UNDISTURBED.



DETAIL

610mm [24"] Ø STUMP SEAT

PRODUCT NUMBER	PAGE	SCALE @ 0.5X	DRAWN	CHECKED	PHONE NUMBER
NI-PG-702-02	1 OF 1	NT.S.	RI	SE	1-877-733-7459