

COMPONENTS

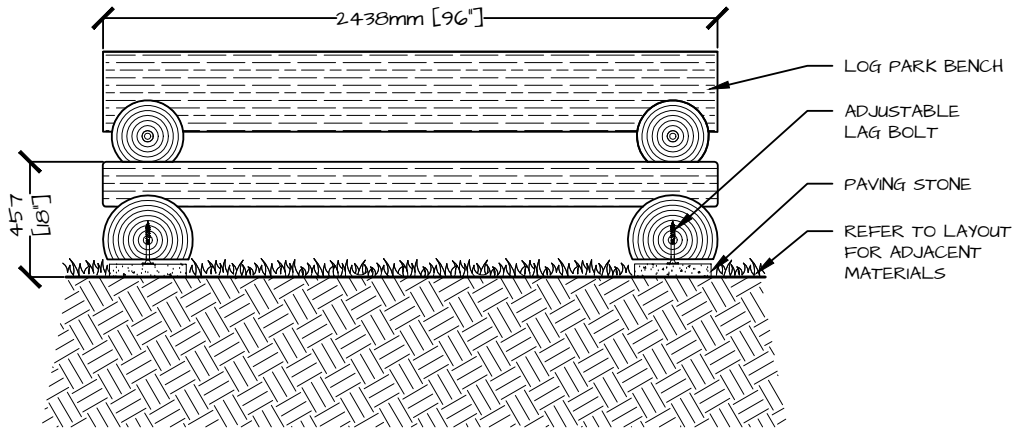
NATURE'S INSTRUMENTS NI-PG-703-01 HARDWOOD LOG PARK BENCH

- INCLUDES LAG BOLTS INSTALLED IN THE BOTTOM OF THE BENCH, 2 PER BENCH LEG.
NOTE: THE LAG BOLTS WILL BE SCREWED IN FLUSH WITH THE WOOD SURFACE (FOR SHIPPING) AND WILL REQUIRE ADJUSTMENT PRIOR TO INSTALLATION.

2 PAVING STONES, MAX. 51 mm [2"] THICK, MIN 305mm [12"] WIDE ARE NOT INCLUDED.

INSTALLATION

1. PLACE PARK BENCH TO ALLOW FOR CIRCULATION, IT IS RECOMMENDED THAT AT LEAST 915 mm [36"] CLEAR SPACE BE ALLOCATED AROUND ALL SIDES OF BENCH. 1220 mm [48"] CLEAR SPACE IS PREFERRED.
2. PLACE PAVING STONES ON FIRM STABLE GROUND.
3. PARTIALLY UNSCREW THE LAG BOLTS ON THE BOTTOM OF THE BENCH SO THEY EXTEND 13 - 25 mm [1/2" - 1"] BEYOND THE WOOD SURFACE.
4. PLACE BENCH ON THE PAVING STONES SO THAT THE EXTENDED BOLTS ARE CENTRED OVER THE PAVING STONES. ENSURE THE PAVING STONES ARE NOT VISIBLE FROM ABOVE.
5. IF THE BENCH IS NOT LEVEL AND STABLE, ADJUST THE LENGTH OF THE LAG BOLTS.
6. FOLLOW ADJACENT SURFACING INSTALLATION DETAILS. RESTORE ADJACENT SURFACING TO PRE-CONSTRUCTION CONDITION IF SPECIFIED TO REMAIN UNDISTURBED.
7. IF INSTALLED ON OR DIRECTLY NEXT TO A GRASS SURFACE, IT IS RECOMMENDED THAT DUROLAWN MATS (NOT SUPPLIED) BE INSTALLED IN FRONT OF PARK BENCH TO ELIMINATE WEAR PATTERNS. GO TO www.durolawn.com FOR MORE INFORMATION.

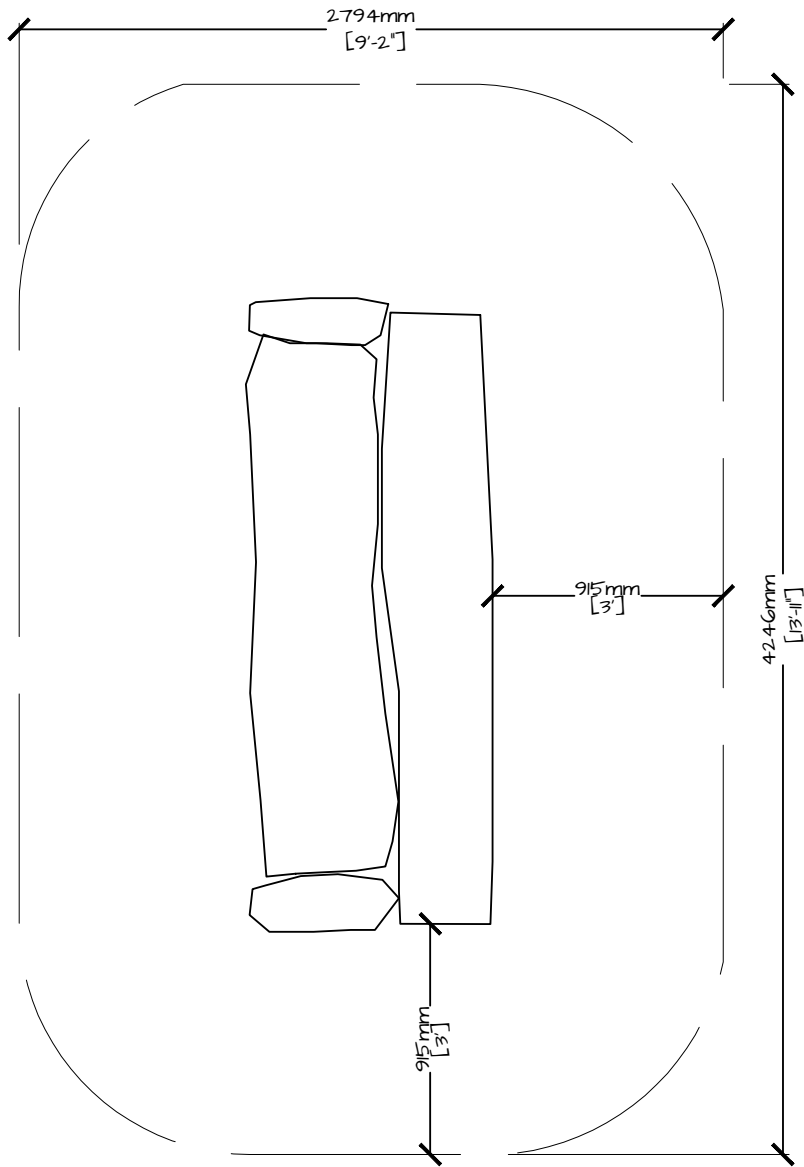


DETAIL

HARDWOOD LOG PARK BENCH

PRODUCT NUMBER	PAGE	SCALE @ 0.5X	DRAWN	CHECKED	PHONE NUMBER
NI-PG-703-01	1 OF 1	NT.S.	SE	SE	1-877-733-7459

COPYRIGHT © 2016 NATURE'S INSTRUMENTS. DO NOT SCALE DRAWINGS. NOT FOR COMMERCIAL USE OR REPRINT WITHOUT EXPRESSED WRITTEN PERMISSION FROM NATURE'S INSTRUMENTS.



DETAIL

HARDWOOD LOG PARK BENCH - LAYOUT

PRODUCT NUMBER	PAGE	SCALE @ .05X	DRAWN	CHECKED	PHONE NUMBER
NI-PG-703-01	1 OF 1	NT.S.	SE	SE	1-877-733-7459

COPYRIGHT © 2016 NATURE'S INSTRUMENTS. DO NOT SCALE DRAWINGS. NOT FOR COMMERCIAL USE OR REPRINT WITHOUT EXPRESSED WRITTEN PERMISSION FROM NATURE'S INSTRUMENTS.