

COMPONENTS

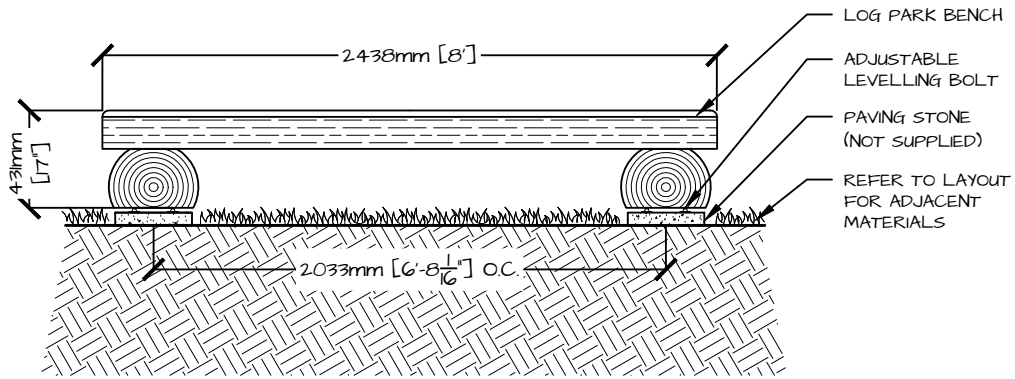
NATURE'S INSTRUMENTS NI-PG-703-02 BACKLESS HARDWOOD LOG PARK BENCH NI PACKAGE INCLUDES:-

- PRE-ASSEMBLED BACKLESS HARDWOOD PARK BENCH
 - WITH LEVELLING BOLTS ON THE BOTTOM OF THE BENCH, 2 PER BENCH LEG

2. PAVING STONES, MAX 51 mm [2"] THICK, MIN 305mm [12"] WIDE, ARE NOT SUPPLIED.

NOTES

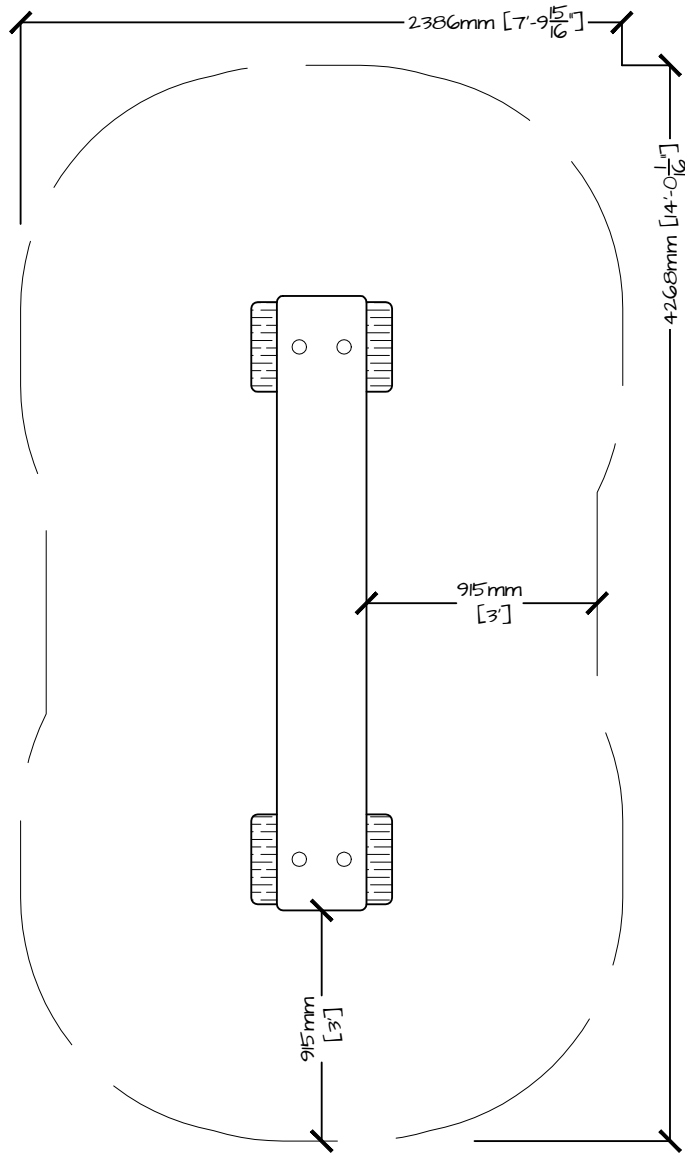
1. PLACE PARK BENCH TO ALLOW FOR CIRCULATION, IT IS RECOMMENDED THAT AT LEAST 915 mm [36"] CLEAR SPACE BE ALLOCATED AROUND ALL SIDES OF BENCH. 1220 mm [48"] CLEAR SPACE IS PREFERRED.
2. PLACE PAVING STONES ON FIRM STABLE GROUND.
3. PARTIALLY UNSCREW THE LEVELLING BOLTS ON THE BOTTOM OF THE BENCH SO THEY EXTEND 13 - 25 mm [1/2" - 1"] BEYOND THE WOOD SURFACE.
4. PLACE BENCH ON THE PAVING STONES SO THAT THE EXTENDED BOLTS ARE CENTRED OVER THE PAVING STONES. ENSURE THE PAVING STONES ARE NOT VISIBLE FROM ABOVE.
5. IF THE BENCH IS NOT LEVEL AND STABLE, ADJUST THE LENGTH OF THE LAG BOLTS.
6. FOLLOW ADJACENT SURFACING INSTALLATION DETAILS. RESTORE ADJACENT SURFACING TO PRE-CONSTRUCTION CONDITION IF SPECIFIED TO REMAIN UNDISTURBED.
7. IF INSTALLED ON OR DIRECTLY NEXT TO A GRASS SURFACE, IT IS RECOMMENDED THAT DUROLAWN MATS (NOT SUPPLIED) BE INSTALLED IN FRONT OF THE PARK BENCH TO ELIMINATE WEAR PATTERNS. GO TO www.durolawn.com FOR MORE INFORMATION.



DETAIL

BACKLESS HARDWOOD LOG PARK BENCH

PRODUCT NUMBER	PAGE	SCALE @ 0.5X	DRAWN	CHECKED	PHONE NUMBER
NI-PG-703-02	1 OF 1	N.T.S.	JC	SE	1-877-733-7459



DETAIL

BACKLESS HARDWOOD LOG PARK BENCH - LAYOUT

PRODUCT NUMBER	PAGE	SCALE @ 0.5X	DRAWN	CHECKED	PHONE NUMBER
NI-PG-703-02	1 OF 1	NT.S.	JC	SE	1-877-733-7459

COPYRIGHT © 2016 NATURE'S INSTRUMENTS. DO NOT SCALE DRAWINGS. NOT FOR COMMERCIAL USE OR REPRINT WITHOUT EXPRESSED WRITTEN PERMISSION FROM NATURE'S INSTRUMENTS.