

COMPONENTS

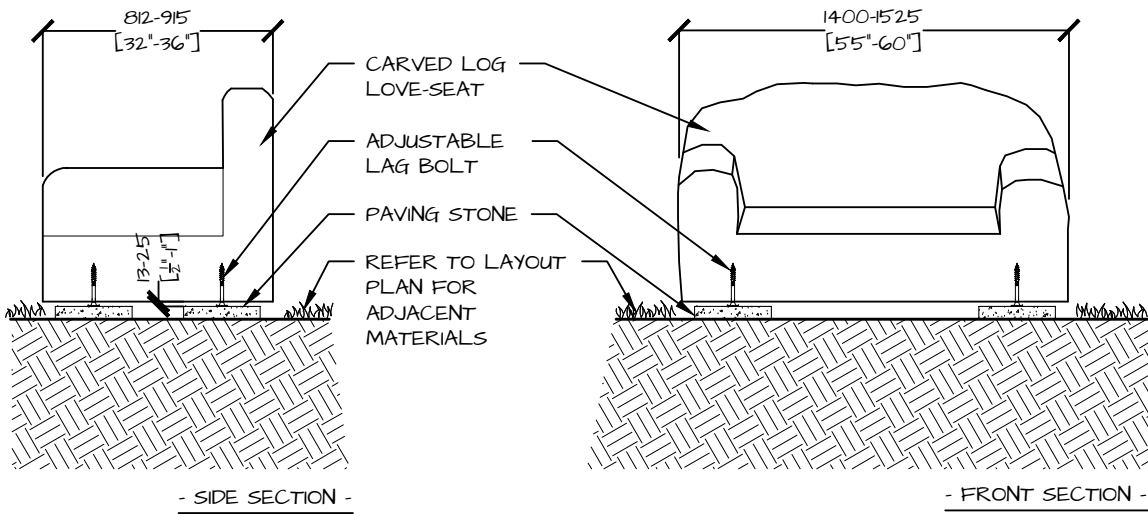
NATURE'S INSTRUMENTS NI-PG-704-02 812-915mm x 1400-1525mm [32'-36" x 55'-60"] CARVED HARDWOOD LOG LOVE-SEAT.

- INCLUDES 4 LAG BOLTS INSTALLED IN THE BOTTOM OF THE LOVE-SEAT.
NOTE: THE LAG BOLTS WILL BE SCREWED IN FLUSH WITH THE WOOD SURFACE (FOR SHIPPING) AND WILL REQUIRE ADJUSTMENT PRIOR TO INSTALLATION.

4 PAVING STONES, MAX. 51 mm [2"] THICK, 305mm [12"] WIDE ARE NOT SUPPLIED.

INSTALLATION

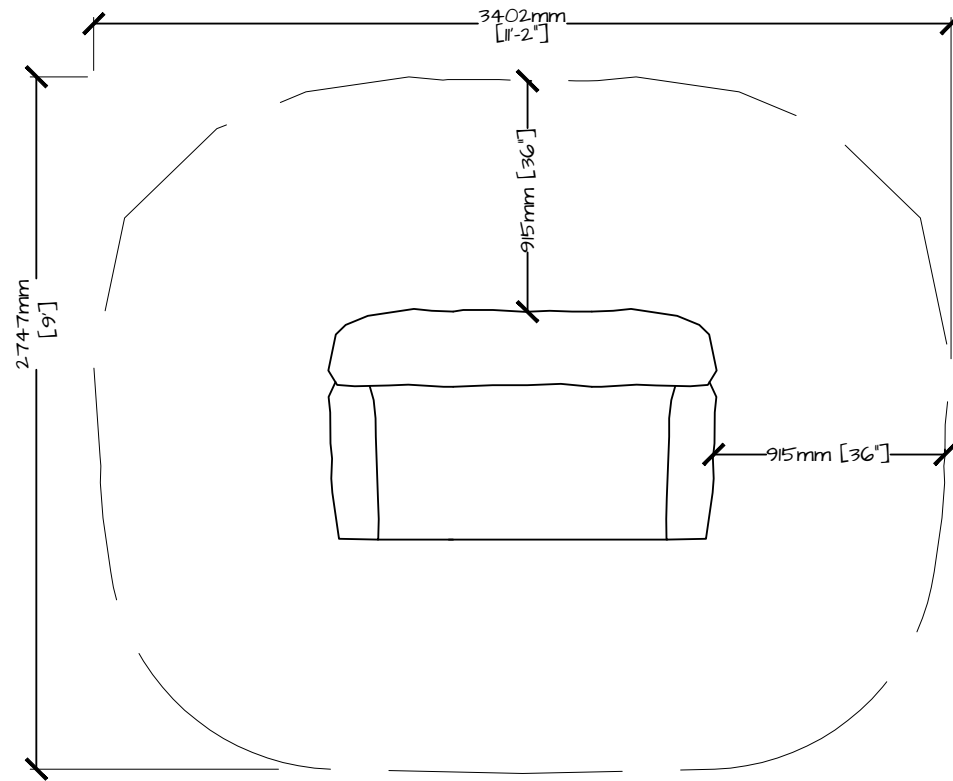
1. PLACEMENT OF LOVE-SEAT TO ALLOW FOR CIRCULATION, IT IS RECOMMENDED THAT AT LEAST 915 mm [36"] CLEAR SPACE BE ALLOCATED AROUND ALL SIDES OF THE LOVE-SEAT. 1220 mm [48"] CLEAR SPACE IS PREFERRED.
2. PLACE PAVING STONES ON FIRM STABLE GROUND.
3. PARTIALLY UNSCREW THE LAG BOLTS ON THE BOTTOM OF THE LOVE-SEAT SO THEY EXTEND 13 - 25 mm [$\frac{1}{2}$ " - 1"] BEYOND THE WOOD SURFACE.
4. PLACE LOVE-SEAT ON THE PAVING STONES SO THAT THE EXTENDED BOLTS ARE CENTRED OVER THE PAVING STONES. ENSURE THE PAVING STONES ARE NOT VISIBLE FROM ABOVE.
5. IF THE LOVE-SEAT IS NOT LEVEL AND STABLE, ADJUST THE LENGTH OF THE LAG BOLTS.
6. FOLLOW ADJACENT SURFACING INSTALLATION DETAILS. RESTORE ADJACENT SURFACING TO PRE-CONSTRUCTION CONDITION IF SPECIFIED TO REMAIN UNDISTURBED.



DETAIL

CARVED LOG LOVE SEAT: FREESTANDING

PRODUCT NUMBER	PAGE	SCALE @ 0.5X	DRAWN	CHECKED	PHONE NUMBER
NI-PG-704-02.01	1 OF 1	N.T.S.	SE	SE	1-877-733-7459



DETAIL

CARVED LOG LOVE SEAT - LAYOUT

PRODUCT NUMBER	PAGE	SCALE @ .05x	DRAWN	CHECKED	PHONE NUMBER
NI-PG-704-02.01	1 OF 1	N.T.S.	SE	SE	1-877-733-7459

COPYRIGHT © 2016 NATURE'S INSTRUMENTS. DO NOT SCALE DRAWINGS. NOT FOR COMMERCIAL USE OR REPRINT WITHOUT EXPRESSED WRITTEN PERMISSION FROM NATURE'S INSTRUMENTS.