

COMPONENTS

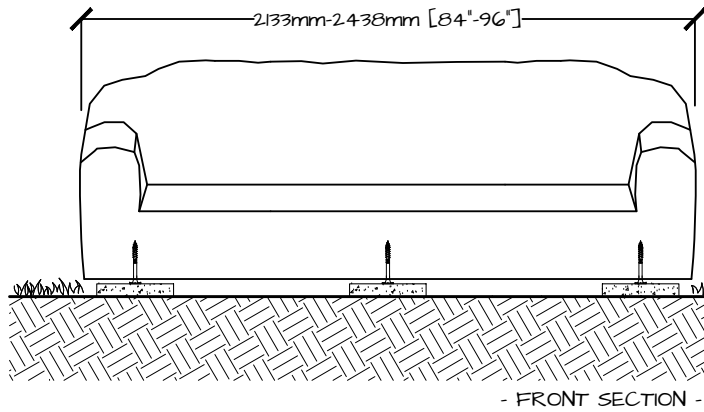
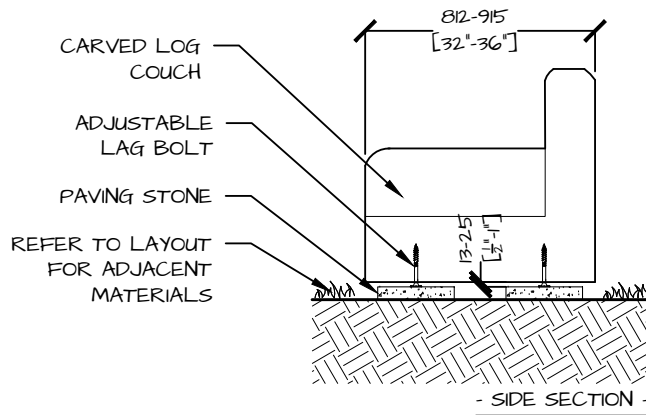
NATURE'S INSTRUMENTS NI-PG-704-03 812-915mm x 2133-2438mm [32'-36" x 84'-96"] CARVED HARDWOOD LOG COUCH.

- INCLUDES 6 LAG BOLTS INSTALLED IN THE BOTTOM OF THE COUCH.
NOTE: THE LAG BOLTS WILL BE SCREWED IN FLUSH WITH THE WOOD SURFACE (FOR SHIPPING) AND WILL REQUIRE ADJUSTMENT PRIOR TO INSTALLATION.

6 PAVING STONES, MAX 51 mm [2"] THICK, MIN 305mm [12"] WIDE ARE NOT SUPPLIED.

NOTES

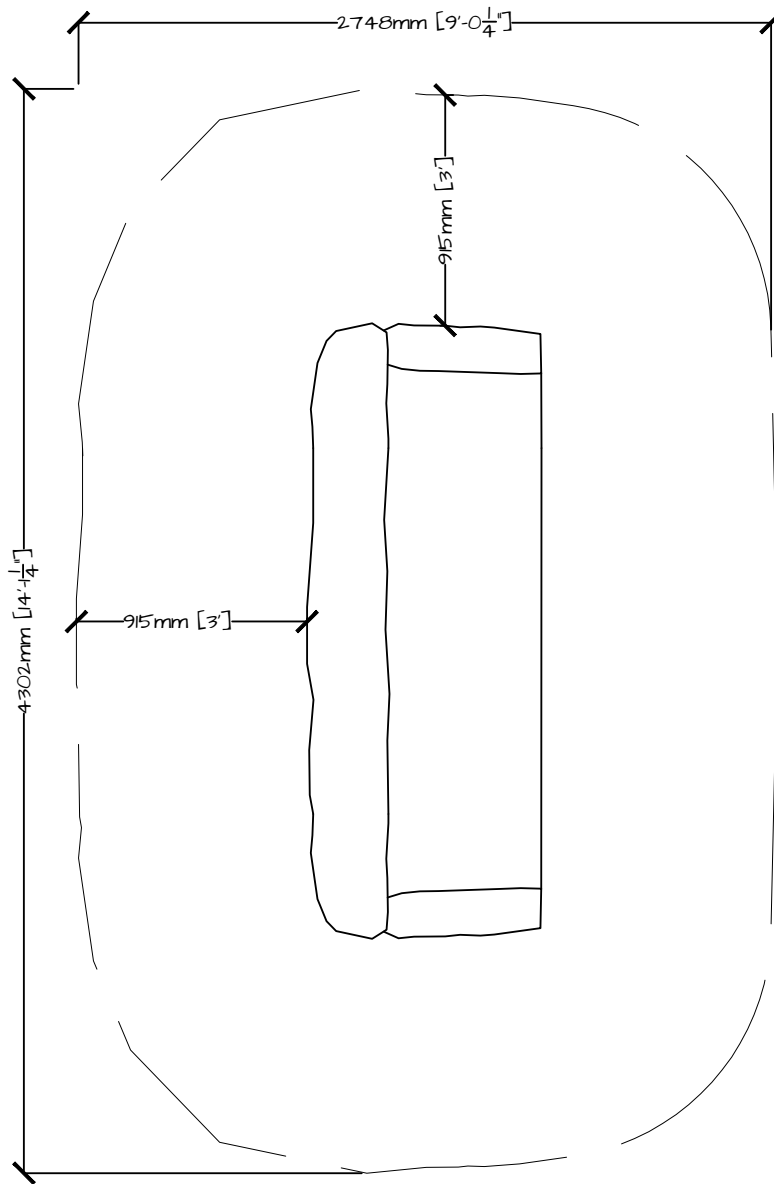
1. PLACEMENT OF COUCH TO ALLOW FOR CIRCULATION, IT IS RECOMMENDED THAT AT LEAST 915 mm [36"] CLEAR SPACE BE ALLOCATED AROUND ALL SIDES OF THE COUCH. 1220 mm [48"] CLEAR SPACE IS PREFERRED.
2. PLACE PAVING STONES ON FIRM STABLE GROUND.
3. PARTIALLY UNSCREW THE LAG BOLTS ON THE BOTTOM OF THE COUCH SO THEY EXTEND 13 - 25 mm [1/2" - 1"] BEYOND THE WOOD SURFACE.
4. PLACE COUCH ON THE PAVING STONES SO THAT THE EXTENDED BOLTS ARE CENTRED OVER THE PAVING STONES. ENSURE THE PAVING STONES ARE NOT VISIBLE FROM ABOVE.
5. IF THE COUCH IS NOT LEVEL AND STABLE, ADJUST THE LENGTH OF THE LAG BOLTS.
6. FOLLOW ADJACENT SURFACING INSTALLATION DETAILS. RESTORE ADJACENT SURFACING TO PRE-CONSTRUCTION CONDITION UNLESS OTHERWISE SPECIFIED.



DETAIL

CARVED LOG COUCH: FREESTANDING

PRODUCT NUMBER	PAGE	SCALE @ .05x	DRAWN	CHECKED	PHONE NUMBER
NI-PG-704-03.01	1 OF 1	NT.S.	SE	SE	1-877-733-7459



DETAIL

CARVED LOG COUCH - LAYOUT

PRODUCT NUMBER	PAGE	SCALE @ 0.5x	DRAWN	CHECKED	PHONE NUMBER
NI-PG-704-03.01	1 OF 1	NT.S.	SE	SE	1-877-733-7459

COPYRIGHT © 2016 NATURE'S INSTRUMENTS. DO NOT SCALE DRAWINGS. NOT FOR COMMERCIAL USE OR REPRINT WITHOUT EXPRESSED WRITTEN PERMISSION FROM NATURE'S INSTRUMENTS.