

COMPONENTS

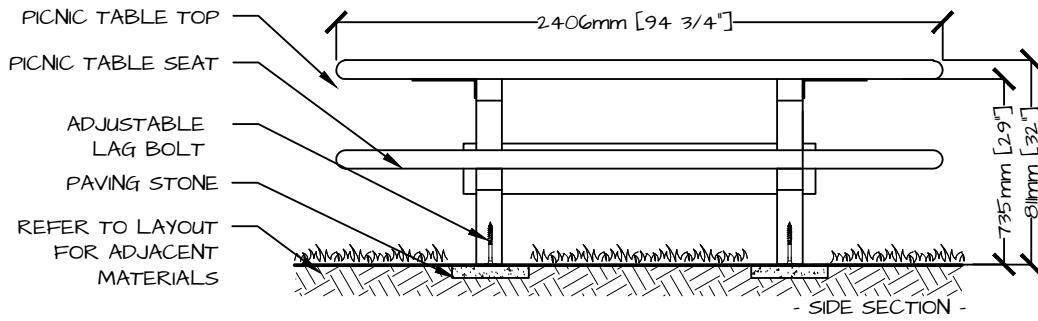
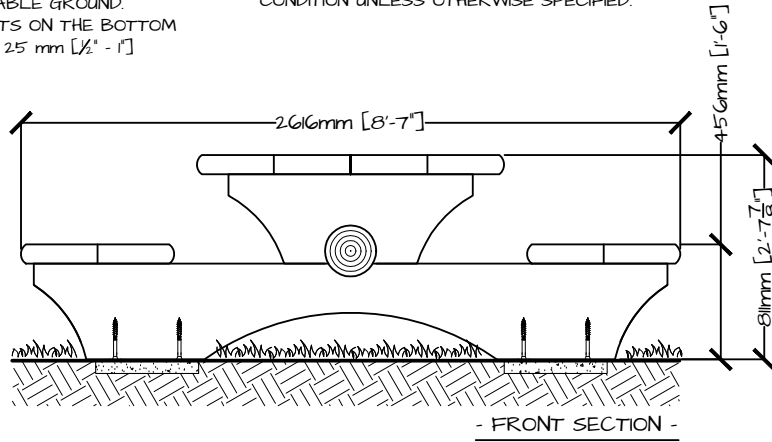
NATURE'S INSTRUMENTS NI-PG-705-01 2666 x 2406mm [103' x 95''] OAK-SLAB PICNIC TABLE.

- INCLUDES 8 LAG BOLTS INSTALLED IN THE BOTTOM OF THE TABLE.
NOTE: THE LAG BOLTS WILL BE SCREWED IN FLUSH WITH THE WOOD SURFACE (FOR SHIPPING) AND WILL REQUIRE ADJUSTMENT PRIOR TO INSTALLATION.

4 PAVING STONES, MAX 51 mm [2''] THICK, MIN 305mm [12''] WIDE, ARE NOT SUPPLIED.

NOTES

1. PICNIC TABLE IS CONSTRUCTED FROM SLABS OF SOLID OAK AND WEIGHS APPROX. 2,500 LBS.
2. PLACEMENT OF PICNIC TABLE TO ALLOW FOR CIRCULATION, IT IS RECOMMENDED THAT AT LEAST 915mm [36''] CLEAR SPACE BE ALLOCATED AROUND ALL SIDES OF THE TABLE. 1220 mm [48''] CLEAR SPACE IS PREFERRED.
3. PLACE PAVING STONES ON FIRM STABLE GROUND.
4. PARTIALLY UNSCREW THE LAG BOLTS ON THE BOTTOM OF THE TABLE SO THEY EXTEND 13 - 25 mm [1/2' - 1''] BEYOND THE WOOD SURFACE.
5. PLACE TABLE ON THE PAVING STONES SO THAT THE EXTENDED BOLTS ARE CENTRED OVER THE PAVING STONES.
6. IF THE PICNIC TABLE IS NOT LEVEL AND STABLE, ADJUST THE LENGTH OF THE LAG BOLTS.
7. FOLLOW ADJACENT SURFACING INSTALLATION DETAILS. RESTORE ADJACENT SURFACING TO PRE-CONSTRUCTION CONDITION UNLESS OTHERWISE SPECIFIED.



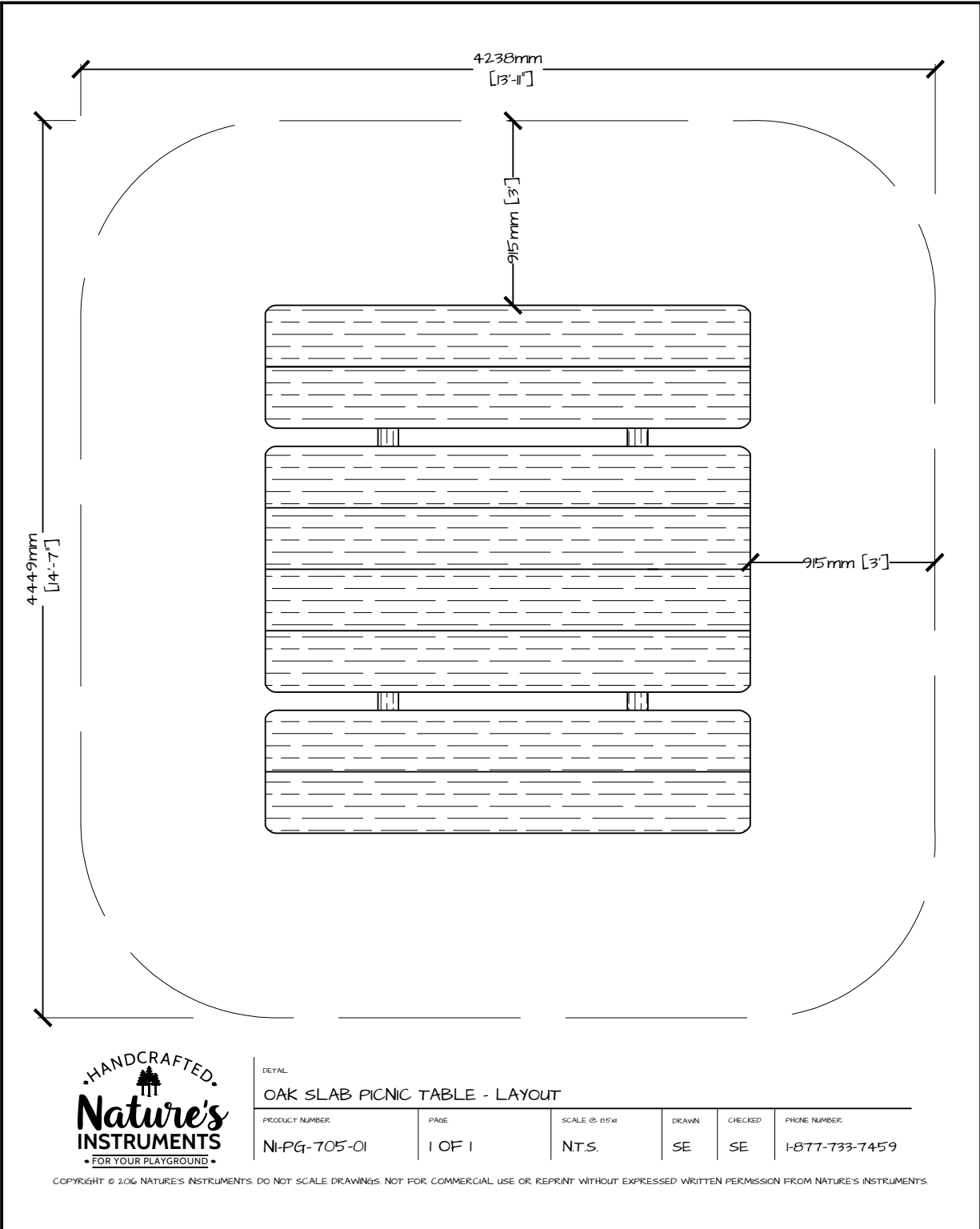
- PICNIC TABLE TOP
- PICNIC TABLE SEAT
- ADJUSTABLE LAG BOLT
- PAVING STONE
- REFER TO LAYOUT FOR ADJACENT MATERIALS



DETAIL

OAK SLAB PICNIC TABLE

PRODUCT NUMBER	PAGE	SCALE @ 0.5X	DRAWN	CHECKED	PHONE NUMBER
NI-PG-705-01	1 OF 1	NT.S.	SE	SE	1-877-733-7459



DETAIL
OAK SLAB PICNIC TABLE - LAYOUT

PRODUCT NUMBER	PAGE	SCALE @ .05x1	DRAWN	CHECKED	PHONE NUMBER
NI-PG-705-01	1 OF 1	NT.S.	SE	SE	1-877-733-7459

COPYRIGHT © 2016 NATURE'S INSTRUMENTS. DO NOT SCALE DRAWINGS. NOT FOR COMMERCIAL USE OR REPRINT WITHOUT EXPRESSED WRITTEN PERMISSION FROM NATURE'S INSTRUMENTS.