

COMPONENTS

NATURE'S INSTRUMENTS NI-PG-80I-01 1525 x 2133mm [5' x 7'] LOG FORT. NI PACKAGE INCLUDES:-

- LOG POST: x4
- HORIZONTAL LOG RAILING: x6
- VERTICAL LOG RAILING BAR: x6
- LOG SIDE BEAM: x2
- LOG FRONT/BACK BEAM: x2
- LOG KING PIN: x2
- LOG RIDGE BEAM: x1
- LOG PERLING: x10
- ROOF BOARDS
- S.D.W.S. STRUCTURAL SCREWS
- 76mm [3"] GALVANIZED SPIRAL NAILS

GRAVEL & 4 PAVING STONES ARE NOT SUPPLIED.

NOTES

1. POSITION FORT AS PER THE LAYOUT PLANS.

PAVER FOOTING

2. INSTALL POSTS ON 450 x 450 x 80mm [18" x 18" x 3"] MIN. SIZE PRECAST CONCRETE PAVERS.
3. PAVERS ARE TO BE PLACED ON 150mm [6"] MIN. DEPTH OF CRUSHED GRAVEL (OR ¾" CLEAR GRAVEL) COMPACTED TO 98% S.P.D.D.
 - 3.a. ENSURE THE GRANULAR BASE COURSE EXTENDS MIN. 150mm [6"] BEYOND THE EDGE OF THE PAVERS.

ASSEMBLY

4. ASSEMBLY IS A 2-4 PERSON JOB.
5. ALL POSTS ARE THE SAME LENGTH.
6. DETERMINE WHICH POSTS ARE THE REAR POSTS BY LOCATING THE RAILING HOLES ON THE POSTS.
 - 6.a. THE REAR POSTS HAVE 4 RAILING HOLES, 2 FOR THE SIDE RAILS AND TWO FOR THE REAR RAILS.
 - 6.b. THE FRONT POSTS HAVE 2 RAILING HOLES FOR THE SIDE RAILS.
7. STAND UP THE FRONT AND BACK POST FROM ONE SIDE, ENSURE RAILING HOLES ARE POINTING IN THE CORRECT DIRECTION.
8. LOCATE THE RAILINGS.
9. INSTALL THE VERTICAL RAILING BAR AND FASTEN WITH STRUCTURAL SCREWS INTO THE TOP AND BOTTOM RAILING FOR THAT SIDE.
10. INSTALL THE COMBINED RAILING INTO THE HOLES IN THE POSTS.
11. FASTEN RAILINGS USING STRUCTURAL SCREWS.
12. REPEAT THE ABOVE RAILING STEPS FOR THE OTHER TWO SIDES.
13. LOCATE THE BEAM THAT GOES ON TOP OF THESE POSTS.
14. PLACE THE BEAM ON TOP OF THE POSTS BY FITTING THE DOWELS INTO THE PRE-DRILLED HOLES.
15. REPEAT STEP 6 FOR THE OPPOSITE SIDE.

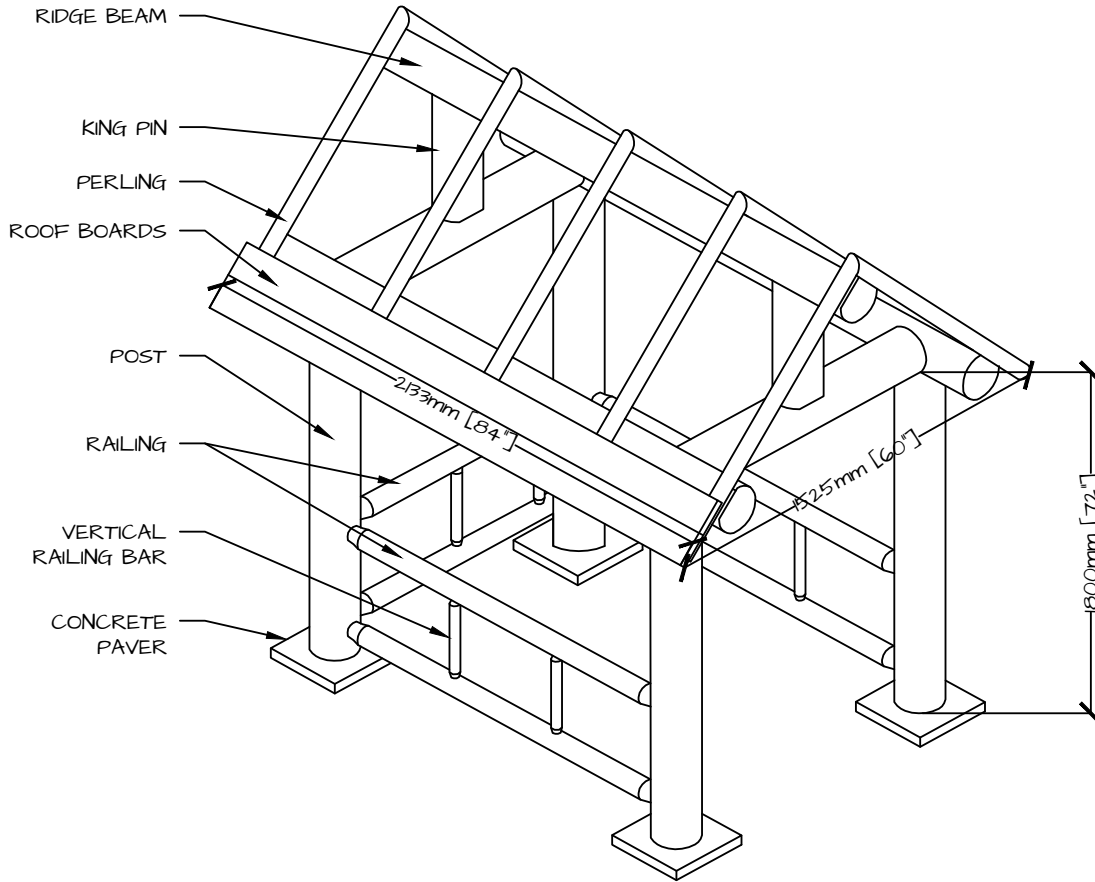
16. LOCATE THE BEAM THAT GOES LEFT TO RIGHT FOR THE REAR AND FRONT.
17. FIT THE BEAM BETWEEN THE TWO FRONT POSTS AND THE TWO REAR POSTS.
18. AT THIS POINT A SQUARE SHOULD BE COMPLETED ON TOP OF THE POSTS.
19. ENSURE THAT THE POSTS ARE CORRECTLY POSITIONED ON THE PAVER FOOTINGS.
20. FASTEN THE BEAMS TOGETHER USING SUPPLIED STRUCTURAL SCREWS IN PRE-DRILLED HOLES.
21. LOCATE THE VERTICAL KING PIN.
22. PLACE THE KING PIN IN THE CARVED SECTION IN THE CENTRE OF THE FRONT AND BACK BEAM.
23. ENSURE THAT THE CORRECT KING PIN IS ON THE CORRECT BEAM -THE TOPS OF THE KING PIN SHOULD BE LEVEL TO EACH OTHER.
24. LOCATE THE RIDGE BEAM.
25. PLACE THE RIDGE BEAM ON TOP OF THE KING PIN ALIGNING THE DOWELS WITH THE HOLES.
26. FASTEN THE KING PIN TO THE FRONT AND BACK BEAM WITH STRUCTURAL SCREWS GOING FROM UNDER THE BEAM UP INTO THE KING PIN.
27. FASTEN THE RIDGE BEAM TO THE KING PIN WITH STRUCTURAL SCREWS GOING FROM THE TOP OF THE RIDGE BEAM DOWN INTO THE KING PIN.
28. INSTALL ROOF PERLINGS BY SETTING THE FRONT AND BACK PERLING FLUSH TO ENDS OF THE RIDGE BEAM.
29. INSTALL ADDITIONAL 4 PERLINGS PER SIDE EQUALLY SPACED BETWEEN THE FRONT AND BACK PERLING
30. FASTEN THE PERLINGS TO THE BEAMS WITH STRUCTURAL SCREWS -ONE PER BEAM.
31. INSTALL ROOF BOARDS
32. START AT THE PEAK, MAKE THE TOP BOARD ON ONE SIDE OVERLAP THE TOP BOARD ON THE OTHER SIDE TO CREATE THE PEAK
33. CONTINUE ADDING BOARDS UNTIL THE BOTTOM OF THE PERLINGS. -BOARDS SHOULD END AT THE SAME LOCATION ON BOTH SIDES.
34. INSTALL ROOF BOARDS WITH 3" GALVANIZED SPIRAL NAILS.



DETAIL

LOG FORT: 1525 x 2133mm [5' x 7'] SIZE

PRODUCT NUMBER	PAGE	SCALE @ 0.5X	DRAWN	CHECKED	PHONE NUMBER
NI-PG-80I-01	1 OF 3	N.T.S.	RI	SE	1-877-733-7459



- AXONOMETRIC -
N.T.S.

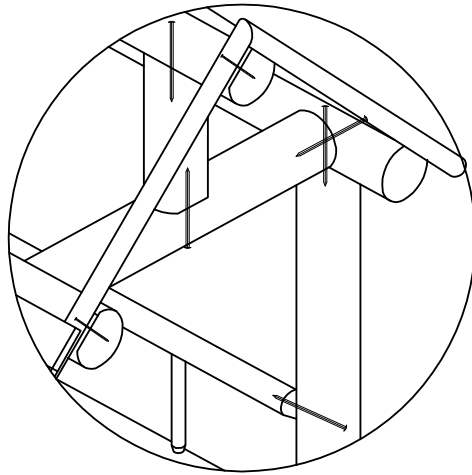
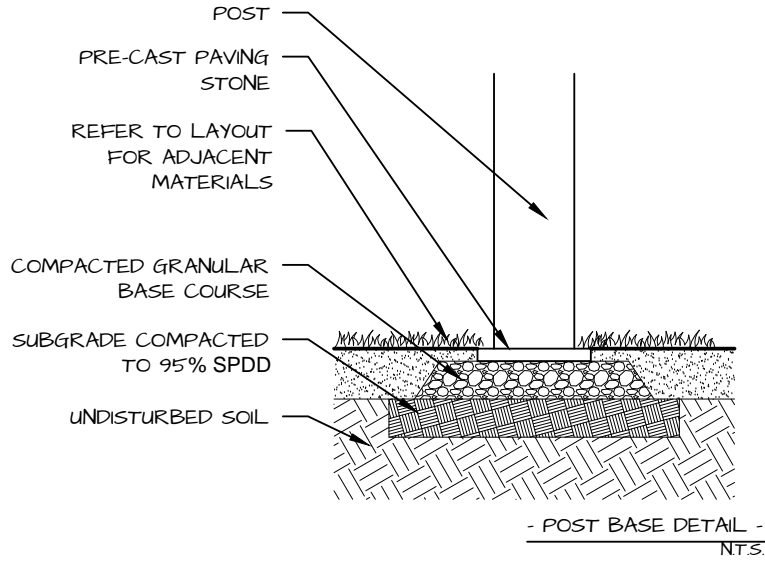


DETAIL

LOG FORT 1525 X 2133mm [5' X 7']

PRODUCT NUMBER	PAGE	SCALE @ 0.5X	DRAWN	CHECKED	PHONE NUMBER
NI-PG-801-01	2 OF 3	N.T.S.	RI	SE	1-877-733-7459

COPYRIGHT © 2016 NATURE'S INSTRUMENTS. DO NOT SCALE DRAWINGS. NOT FOR COMMERCIAL USE OR REPRINT WITHOUT EXPRESSED WRITTEN PERMISSION FROM NATURE'S INSTRUMENTS.

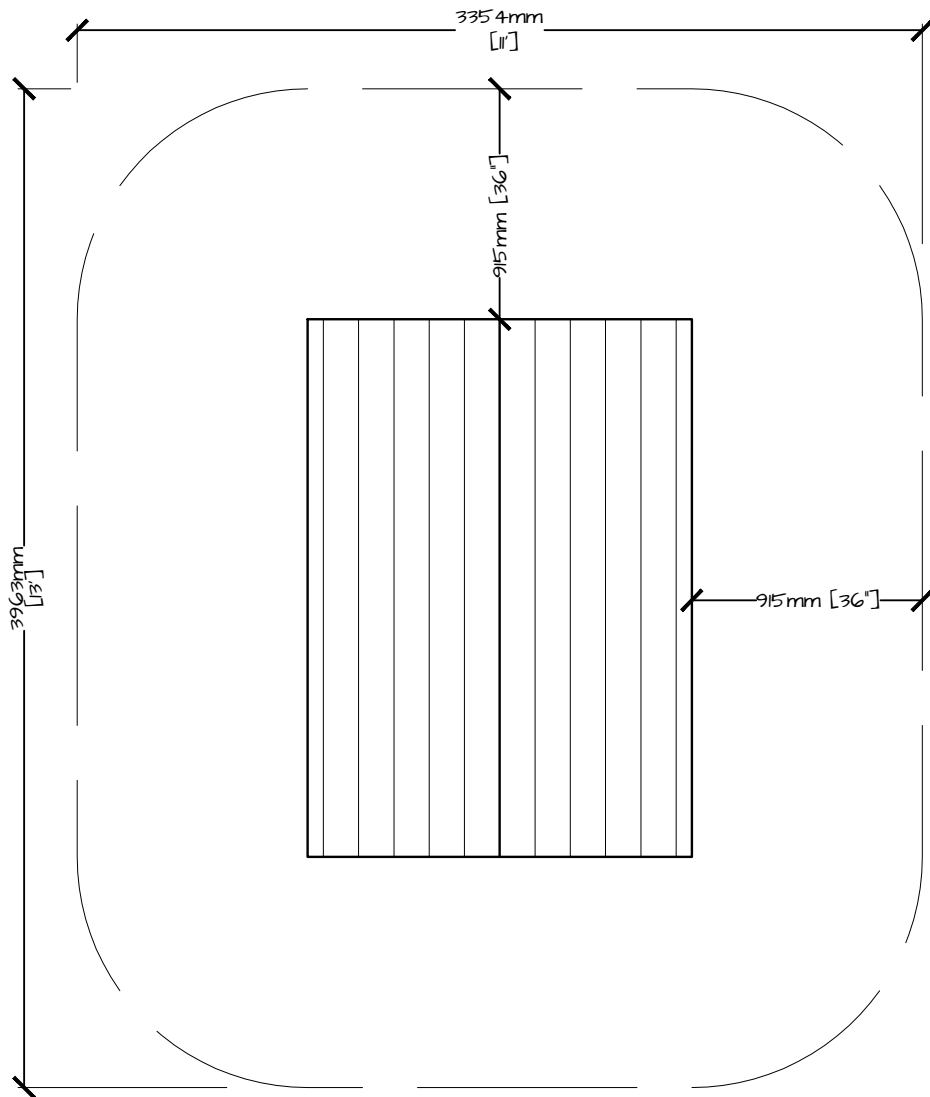


DETAIL

LOG FORT 1525 X 2133mm [5' X 7']

PRODUCT NUMBER	PAGE	SCALE @ 0.5X	DRAWN	CHECKED	PHONE NUMBER
NI-PG-801-01	3 OF 3	N.T.S.	RI	SE	1-877-733-7459

COPYRIGHT © 2016 NATURE'S INSTRUMENTS. DO NOT SCALE DRAWINGS. NOT FOR COMMERCIAL USE OR REPRINT WITHOUT EXPRESSED WRITTEN PERMISSION FROM NATURE'S INSTRUMENTS.



DETAIL

LOG FORT 1525 X 2133mm [5' X 7'] - LAYOUT

PRODUCT NUMBER	PAGE	SCALE @ .05X	DRAWN	CHECKED	PHONE NUMBER
NI-PG-801-01	1 OF 1	NT.S.	RI	SE	1-877-733-7459

COPYRIGHT © 2016 NATURE'S INSTRUMENTS. DO NOT SCALE DRAWINGS. NOT FOR COMMERCIAL USE OR REPRINT WITHOUT EXPRESSED WRITTEN PERMISSION FROM NATURE'S INSTRUMENTS.