

SET OF 3 THUNDER DRUMS ON POSTS

PRODUCT NUMBER
NI-PG-402-05

LAYOUT PLAN

PAGE 1 OF 1	SCALE @ 8.5x11 1:25	DRAWN HM	CHECKED DR	PHONE NUMBER: 1-877-733-7456
----------------	------------------------	-------------	---------------	---------------------------------

COMPONENTS

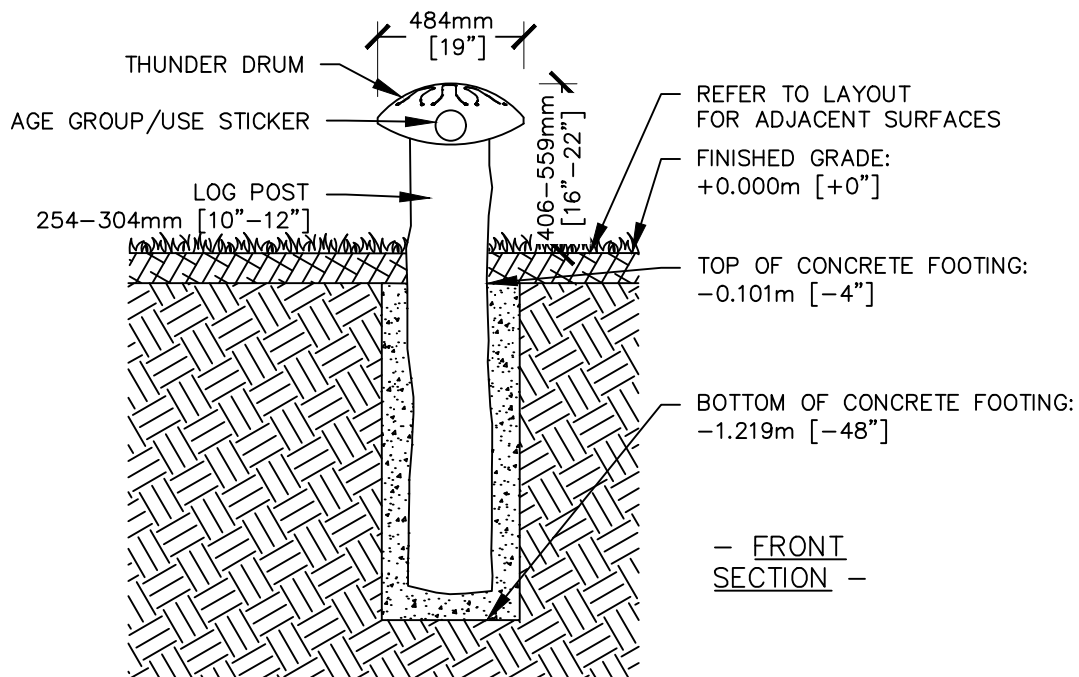
NATURE'S INSTRUMENTS NI-PG-402-05 SET OF 3 THUNDER DRUMS ON POSTS. NI PACKAGE INCLUDES:

- THUNDER DRUM MOUNTED ON POST: x3
- TUBE Mallet: x6

SONOTUBE AND OTHER FOOTING MATERIALS ARE NOT SUPPLIED.

NOTES

1. INTENDED USE: THUNDER DRUM IS TO BE USED WITH FEET PLANTED FIRMLY ON THE GROUND.
2. CONFIRM LAYOUT AND SPACING WITH CONSULTANT PRIOR TO INSTALLING FOOTING.
3. DRUMS SHOULD RETAIN A MINIMUM DISTANCE OF 914mm [36"] FROM OTHER COMPONENTS AND PATHWAYS. IF LAYOUT PERMITS, INCREASE SPACING TO 1219mm [48"] FROM ANY OTHER COMPONENTS OR PATHWAYS.
4. DRUM HEIGHT VARIES BY INTENDED AGE GROUP:
 - 4.a. INFANT/TODDLER 406-457mm [16-18"]
 - 4.b. PRESCHOOL 508-559mm [20-22"]
 - 4.c. KINDERGARTEN 559mm [22"]
5. FOOTING TO BE NON-VISIBLE; TOP OF CONCRETE TO REMAIN AT LEAST 102mm [4"] BELOW FINISHED SURFACE.
6. DIG FOOTING HOLE TO AT LEAST 1219mm [48"] BELOW FINISHED GRADE (BELOW THE FROST LINE).
7. PLACE 304 mm [12"] ϕ SONOTUBE ON UNDISTURBED SOIL AT THE BOTTOM OF THE HOLE.
8. FILL AROUND TUBE WITH ON-SITE SOIL.
9. PLACE THE THUNDER DRUMS POST IN THE SONOTUBE SO THAT THERE IS MIN. 51mm [2"] CONCRETE COVERAGE AROUND ALL SIDES OF THE POST.
10. FILL AROUND THE POST WITH CONCRETE, WHILE KEEPING THE POST BRACED UPRIGHT.
11. RESTORE ADJACENT SURFACING TO PRE-CONSTRUCTION CONDITION UNLESS OTHERWISE SPECIFIED.



SET OF 3 THUNDER DRUMS ON POSTS

PRODUCT NUMBER
NI-PG-402-05

INSTALL DRAWING

PAGE
1 OF 1

SCALE @ 8.5x11
1:25

DRAWN
HM

CHECKED
DR

PHONE NUMBER:
1-877-733-7456